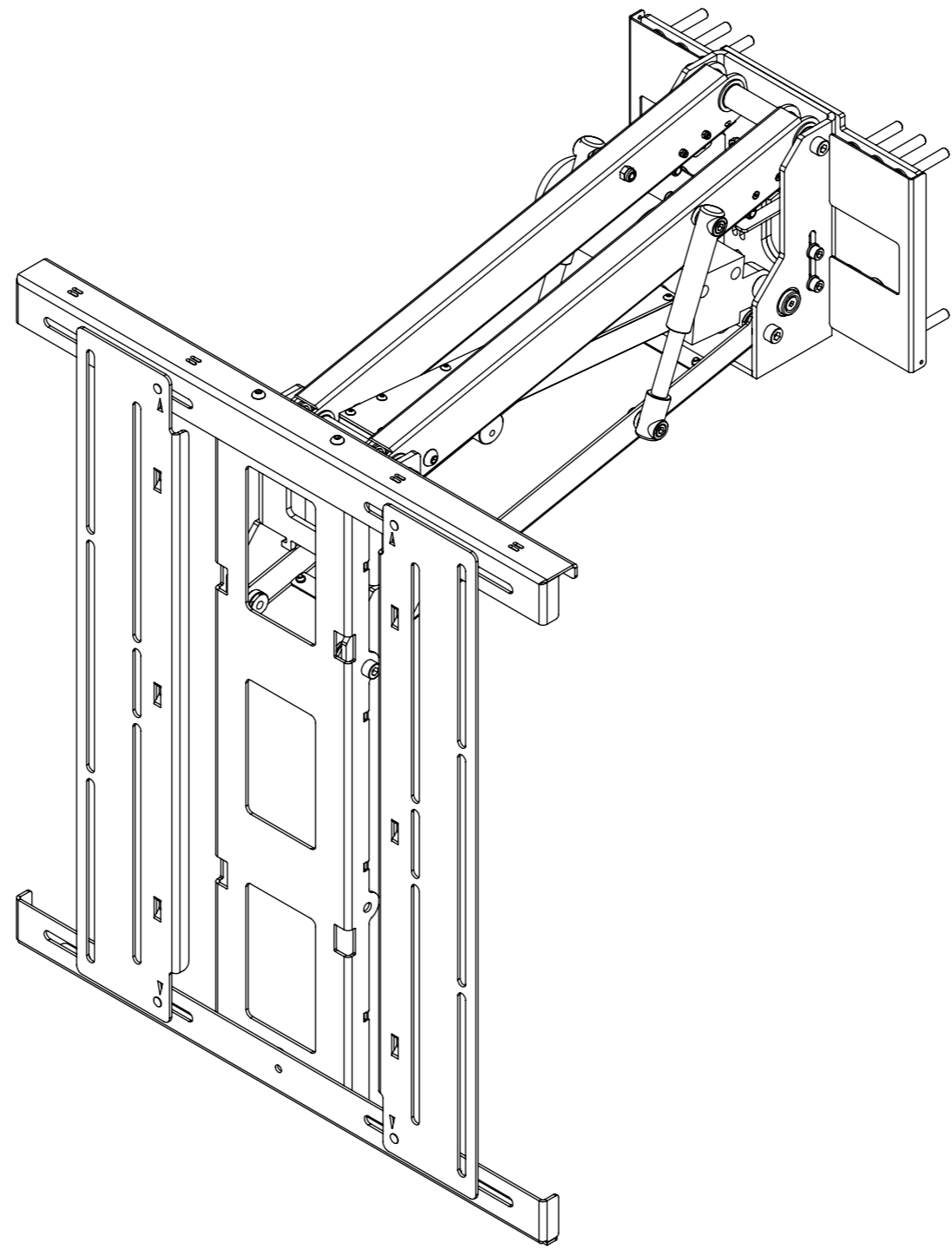


# EAD

## ELECTRIC ADVANCE & DROP BRACKET



future automation



# EAD

## ELECTRIC ADVANCE & DROP BRACKET



SPECIFICATION	MEASUREMENTS
Screen Sizes (Approx)	50"-80"
Maximum Weight Capacity	60Kg (132lb)
Depth From Wall	140mm (5.5")
Maximum Extension From Wall	557mm (21.9")
Maximum Drop from In Position	537mm (21.1")
Packaging Dimensions	840 x 750 x 270mm (33 x 29.5 x 10.6")
Shipping Weight	25Kg (55lb)
Movement Type	Motorised
Power Supply Required	110V - 240V AC
Power Consumption Max.	120W
Power Consumption Standby	3W
Mounting Patterns Supported	VESA 600, 500, 400, 300, 200 W x 500, 400, 300, 200 H
Control Options	IR Remote, RS232, Contact Closure
Product Options / Features	Specific B&O and Loewe mounts / adapters, Custom RAL paint finishes
Package Contents	Mechanism, IR remote control, Control box
Marine Suitable	No

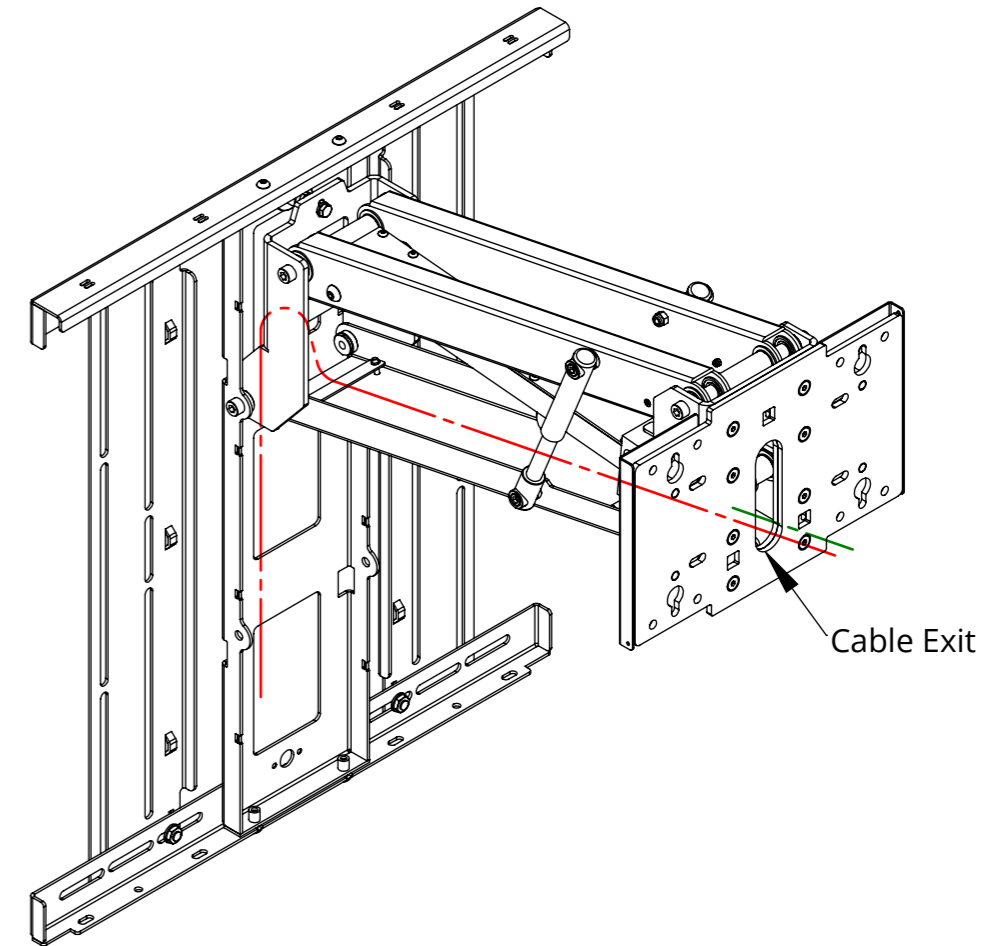
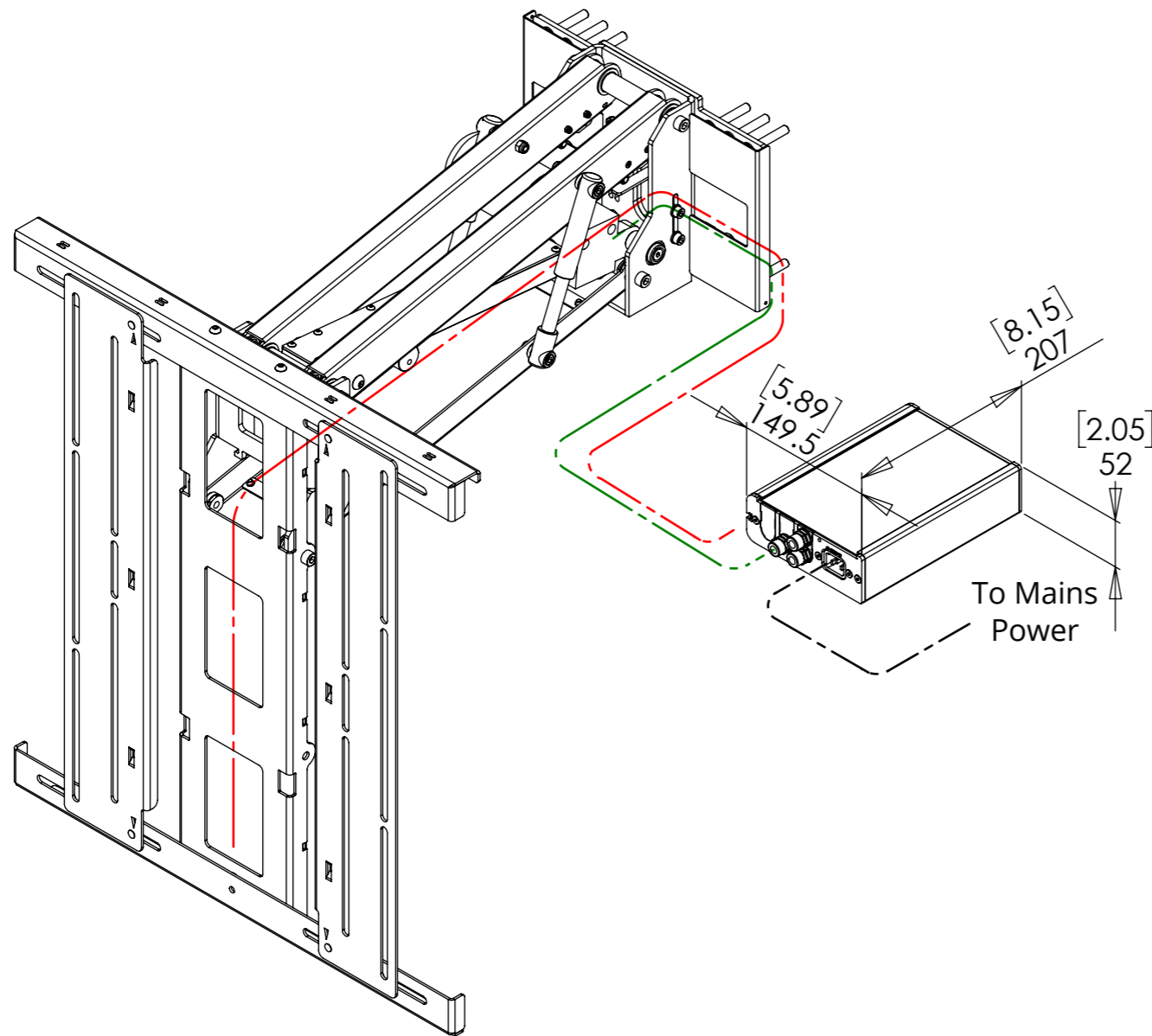
# EAD

## ELECTRIC ADVANCE & DROP BRACKET

### CABLE ROUTING

The EAD's mounting allows for cables from the screen to be fed through the integrated cable management. This allows the cables to be stowed tidily within the mechanism.

Screen and Mechanism cables should be routed to a control box behind the wall via an opening in the back of the wall or a conduit leading to it.



# EAD

## ELECTRIC ADVANCE & DROP BRACKET



### POSITIONING AND MOVEMENT DETAILS

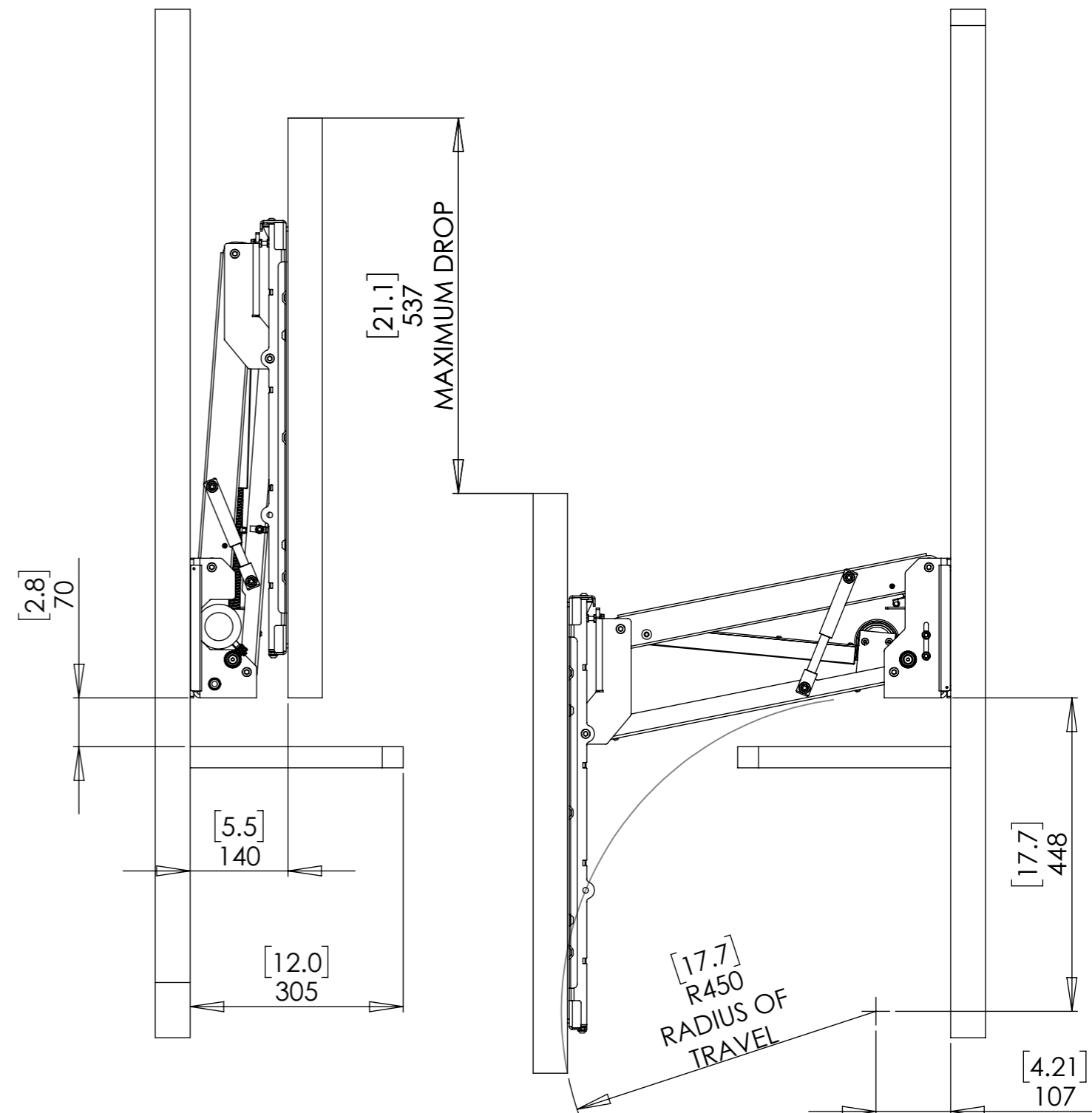
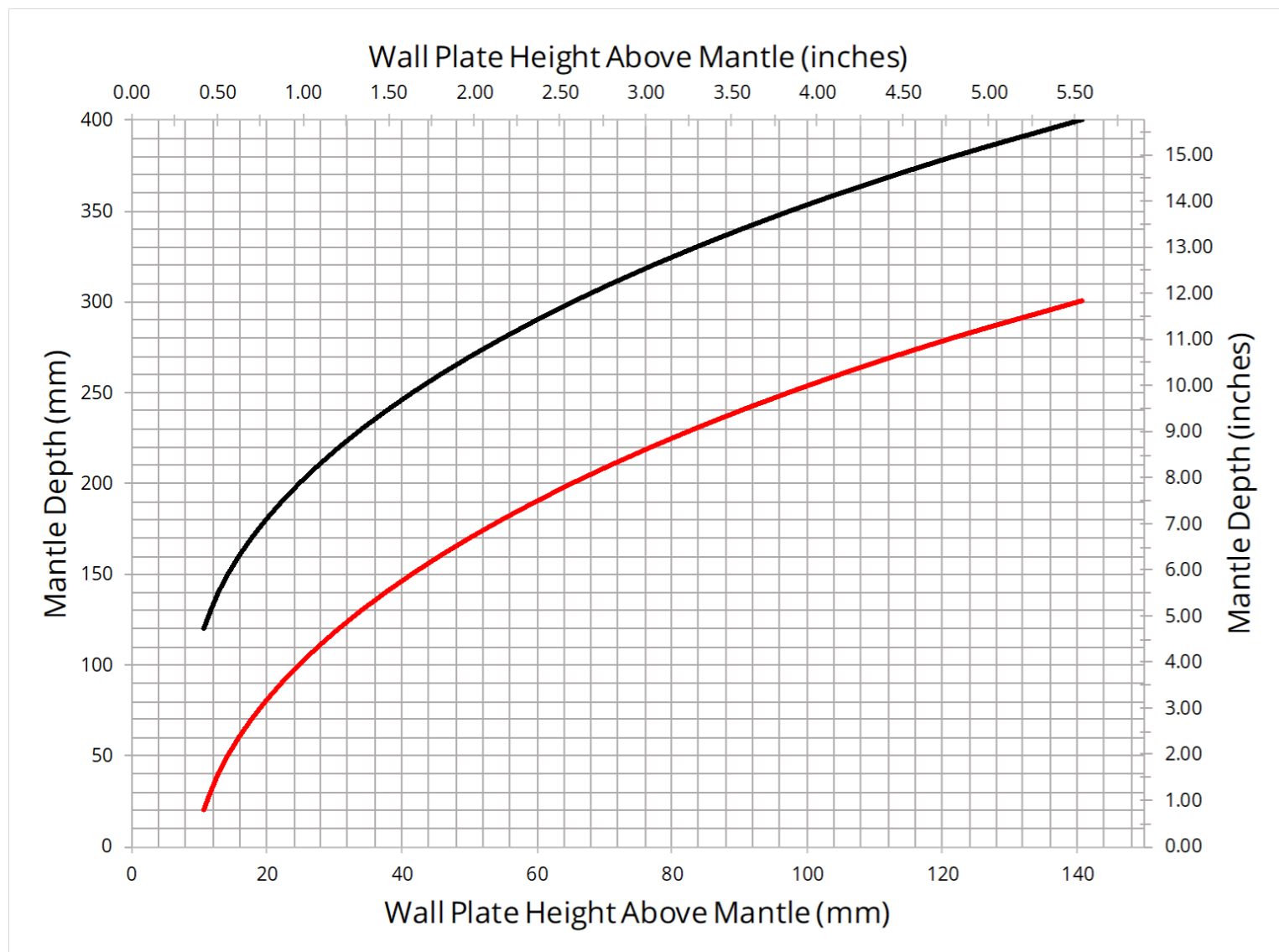
The EAD can clear a 305mm (12") mantle piece with ease when mounted 70mm (2.8") above it.

A screen with height of 690mm (27.2") will be required to cover the mechanism

The graph below gives an approximation of wall plate height position assuming the bottom edge of the screen is flush with the wall plate.

Black Line = Wall mounted

Red Line = Recessed in WB-EAD



If the EAD is being recessed then the figure for mantle piece depth increases by the recess depth value.

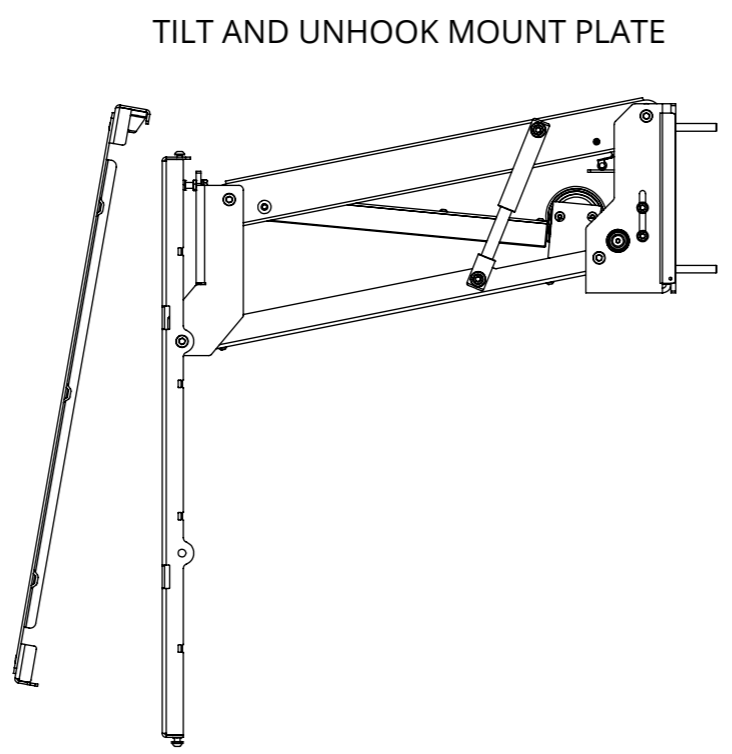
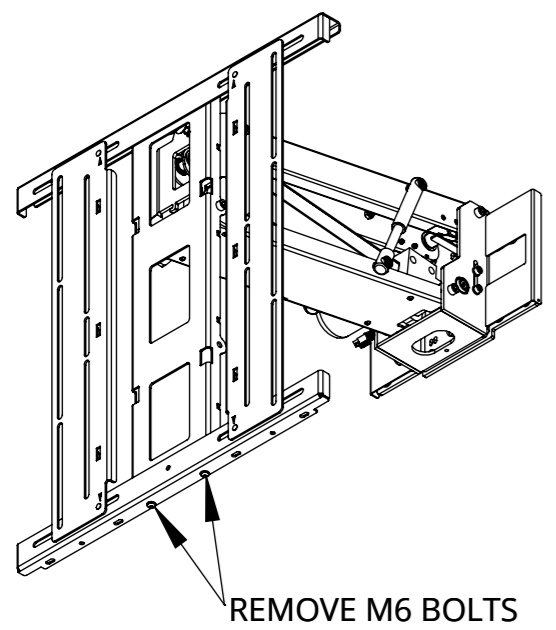
If the lower screen edge is not flush with the EAD wall plate (as shown in views right) then the wall plate height above mantle increases by the offset amount.

# EAD ELECTRIC ADVANCE & DROP BRACKET

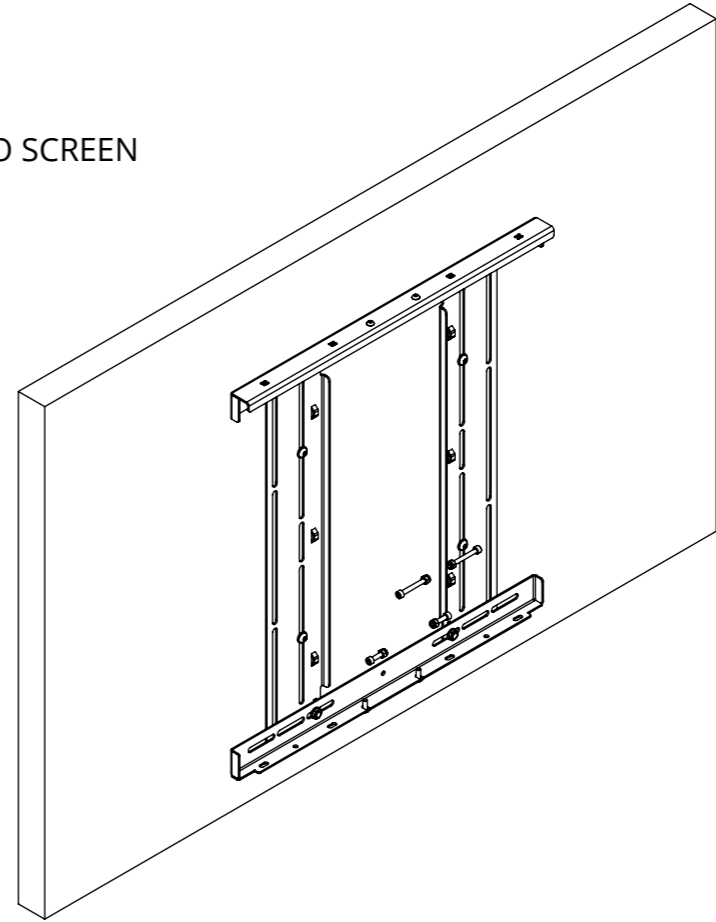
## SCREEN MOUNTING

Remove screen mount as shown below and assemble to screen.

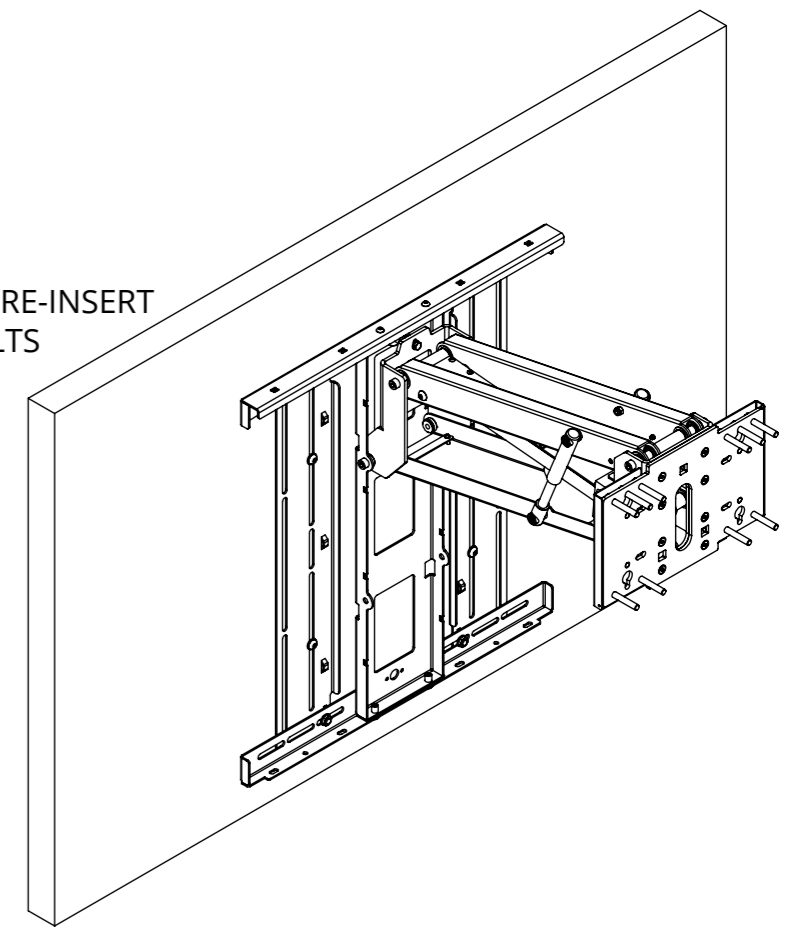
Reassemble screen mount to mechanism in reverse of disassembly. Route cables as shown.



BOLT MOUNT TO SCREEN



HOOK ON AND RE-INSERT M6 BOLTS

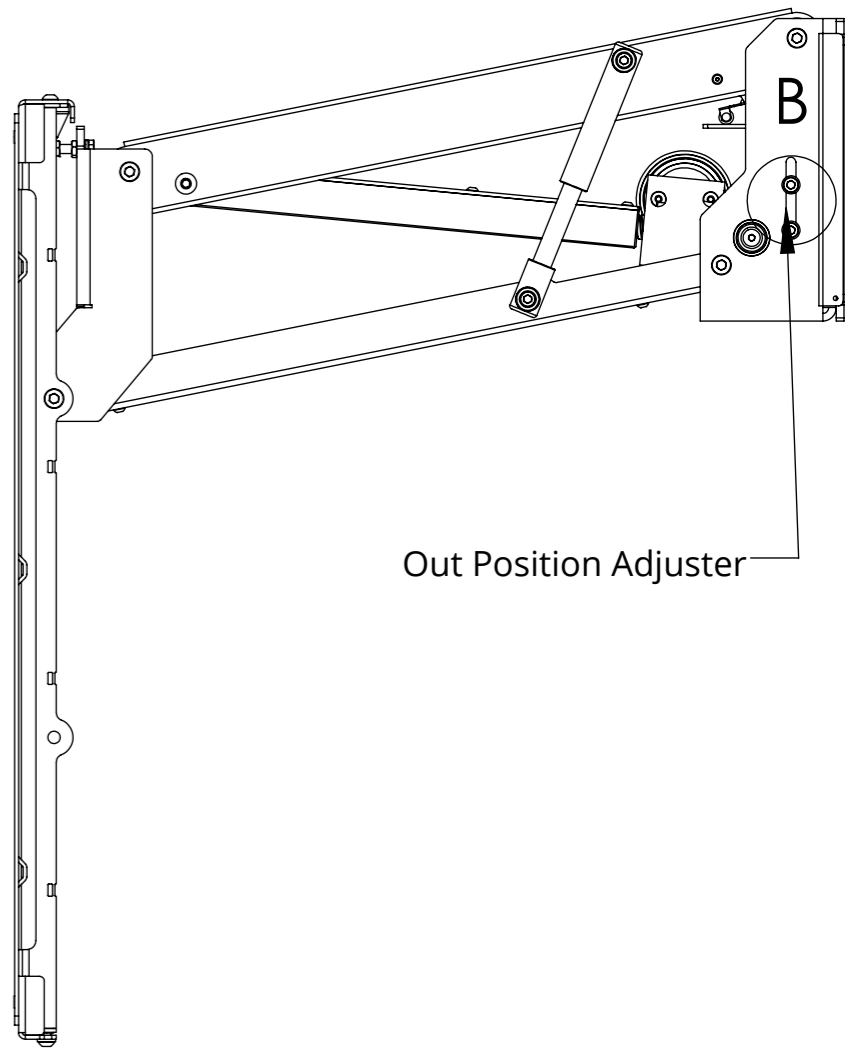
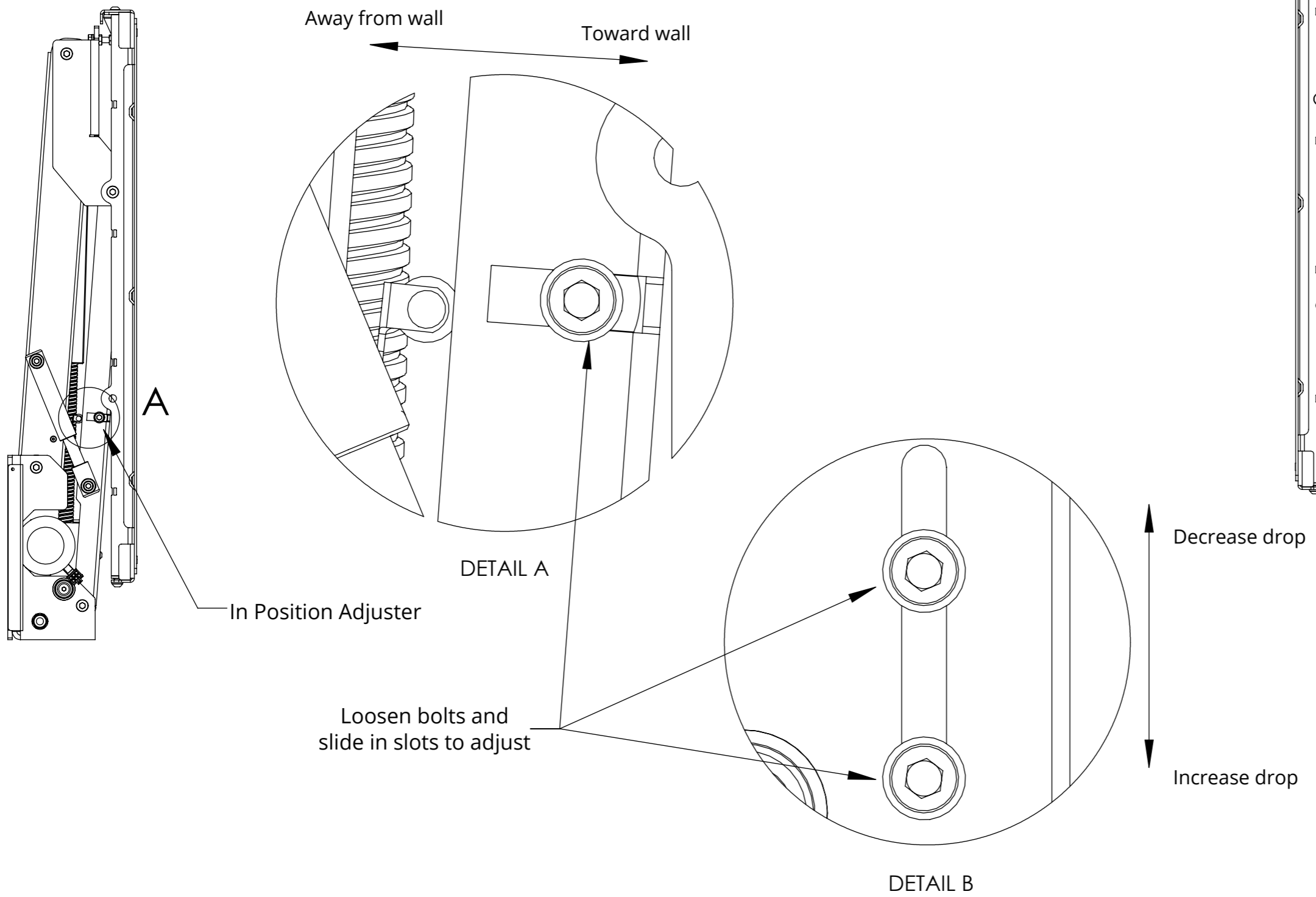


# EAD

## ELECTRIC ADVANCE & DROP BRACKET

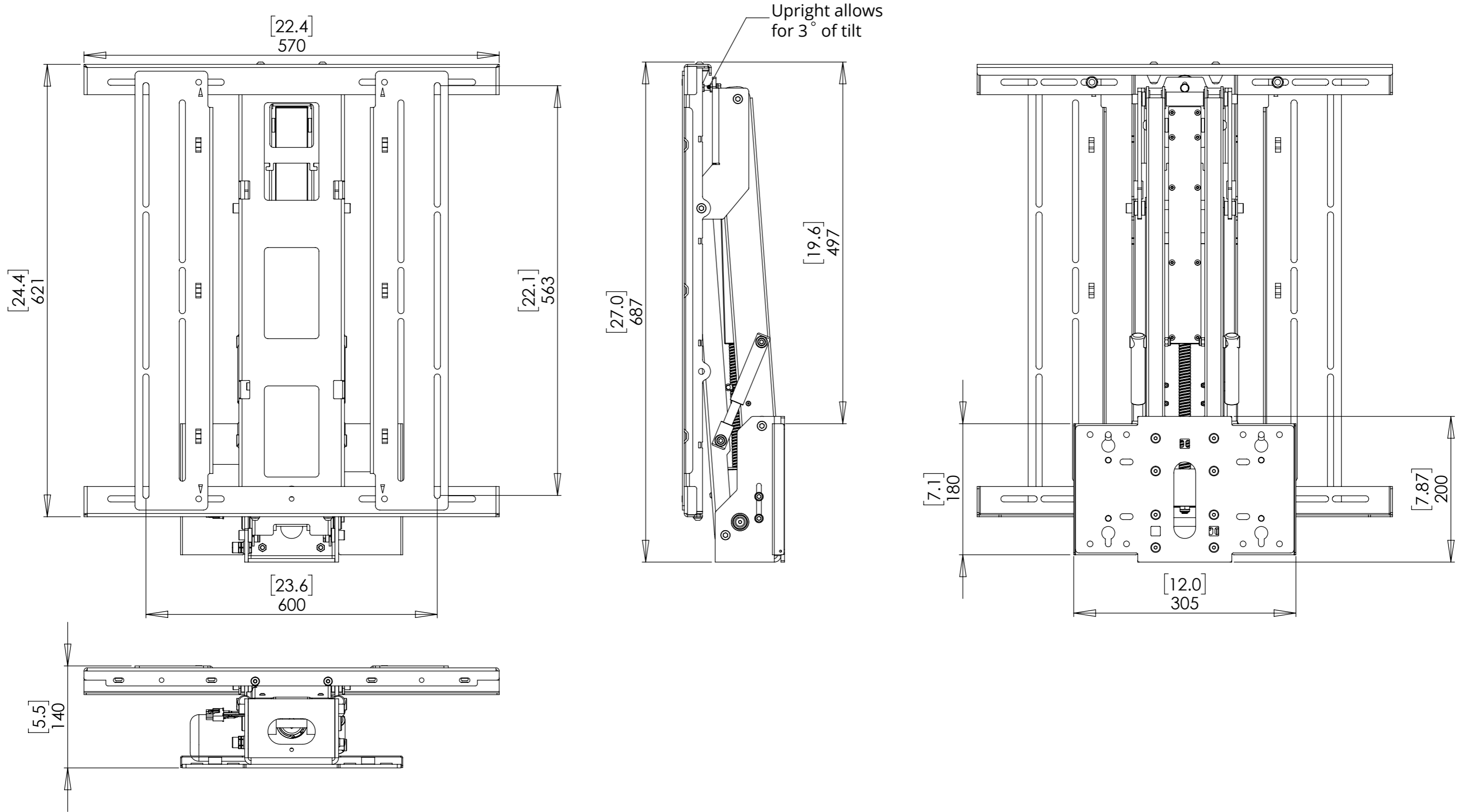
### POSITION ADJUSTMENT

The EAD can be adjusted to fine tune the up and down positions.  
Refer to instructions for more information on switch adjustment.



# EAD ELECTRIC ADVANCE & DROP BRACKET

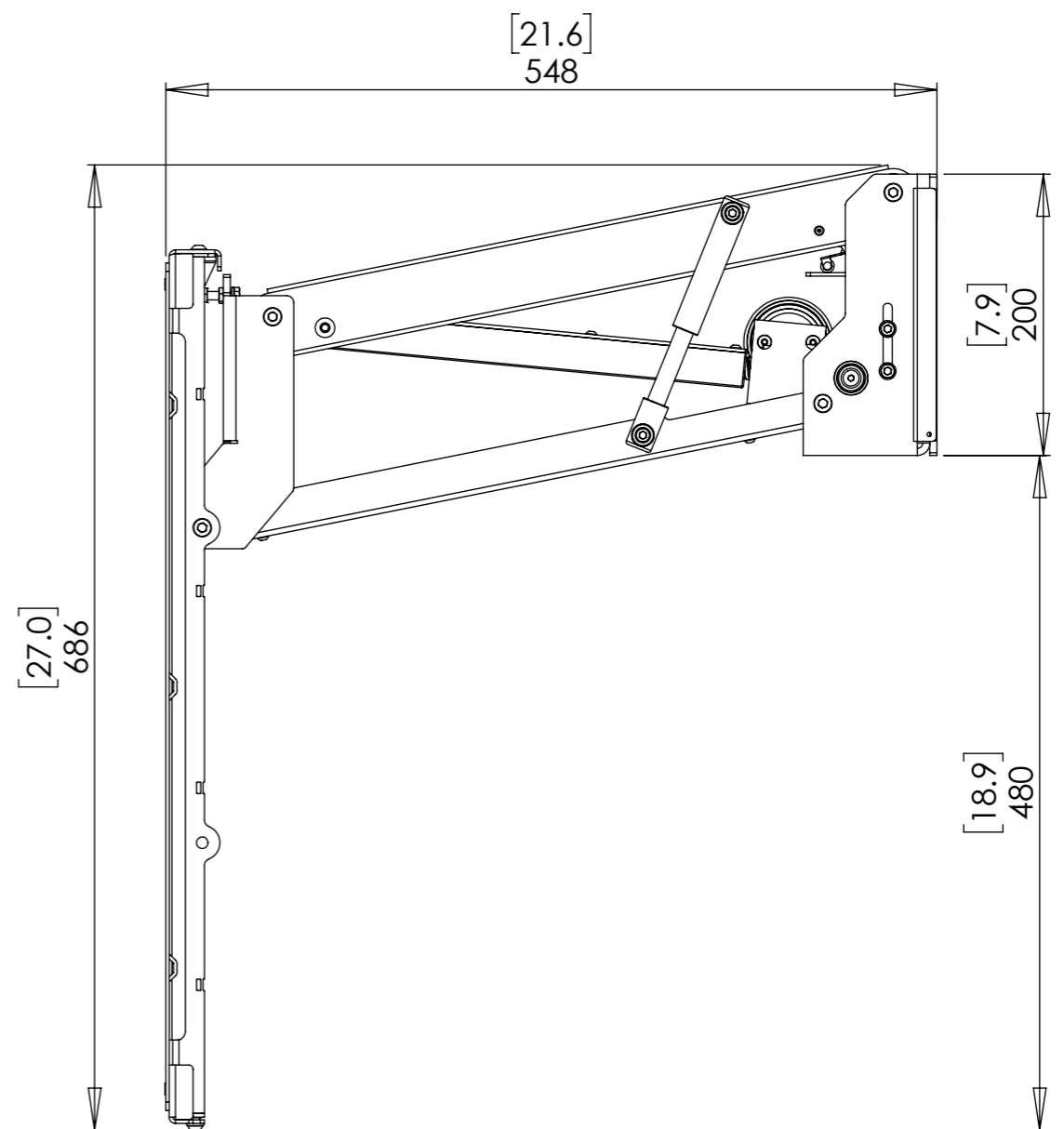
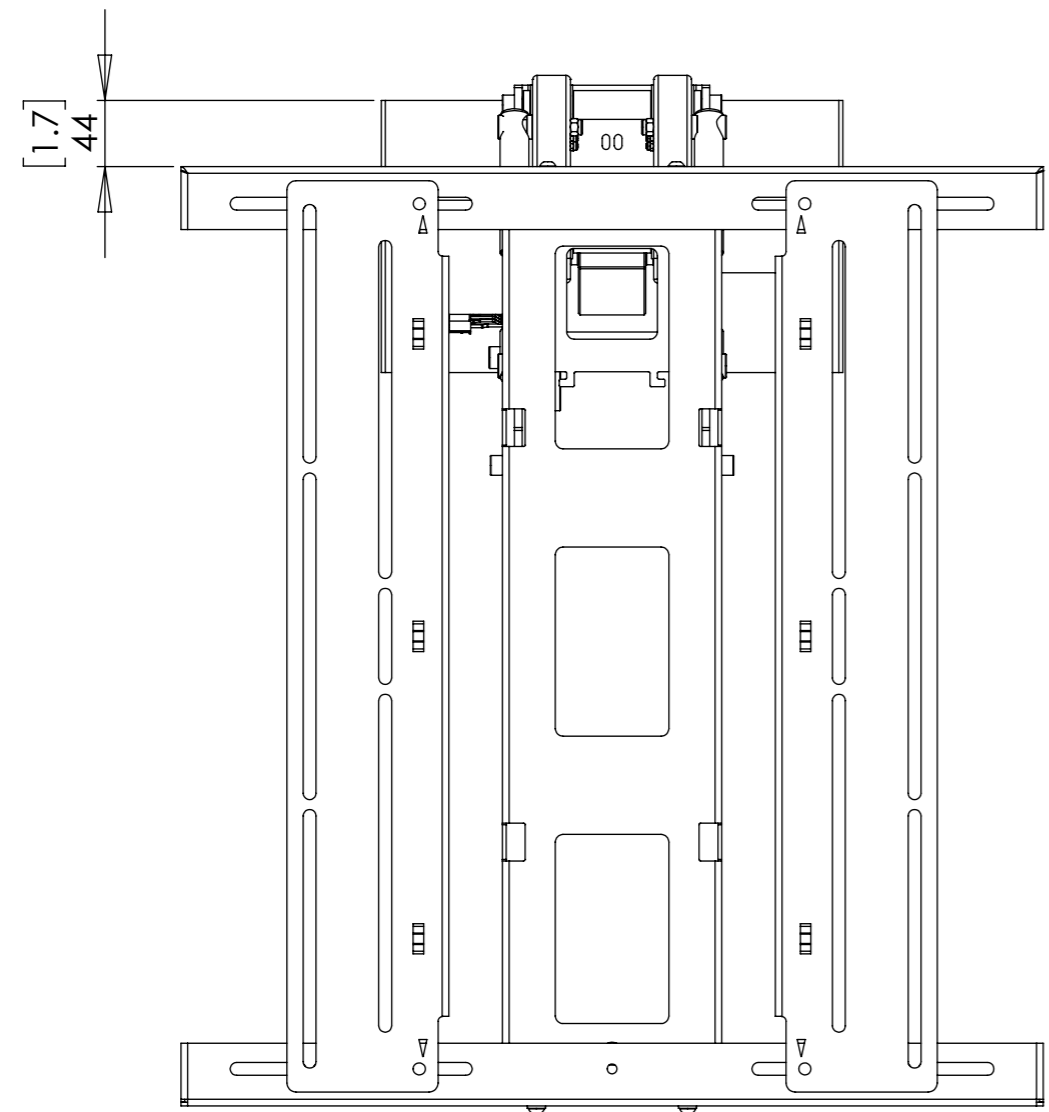
## UP POSITION DIMENSIONS



# EAD

## ELECTRIC ADVANCE & DROP BRACKET

### DOWN POSITION DIMENSIONS





# EAD ELECTRIC ADVANCE & DROP BRACKET



future automation

## WALL PLATE DIMENSIONS

