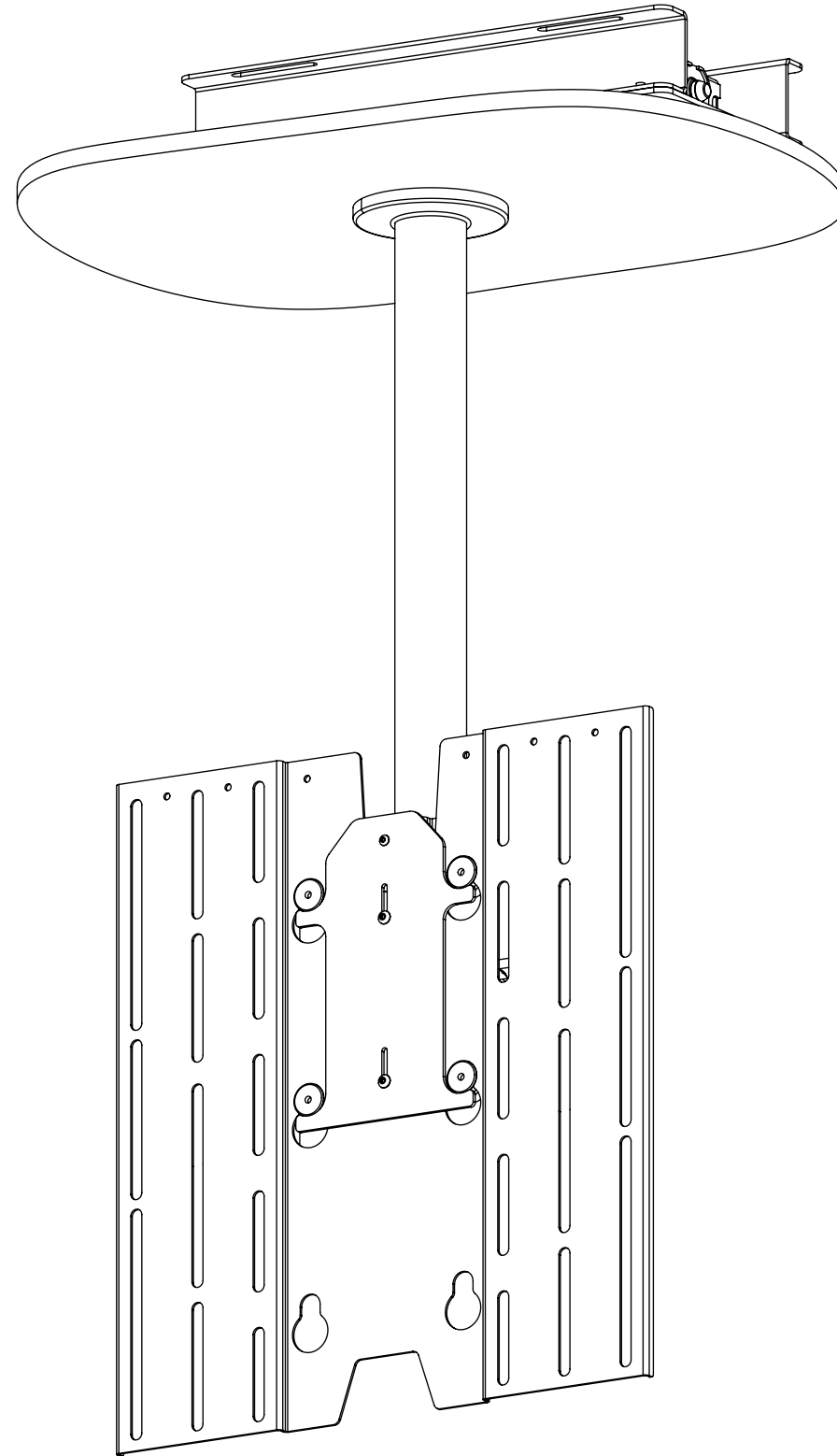


CME

CEILING MOUNT ELECTRIC



future automation



CME

CEILING MOUNT ELECTRIC



SPECIFICATION	MEASUREMENTS
Pole Outer Diameter	51mm (2")
Pole Inner Diameter	48mm (1.88")
Maximum Weight Capacity	50Kg (110lb)
Decibel Rating	44Db
Pole Centre to Rear of Screen	71mm (2.8")
Product Weight	Variable
Packaging Dimensions	Variable
Shipping Weight	Variable
Maximum Rotation	180° - Bi-directional
Maximum Tilt	30°
Movement Type	Motorised
Power Supply Required	110V - 240V AC
Power Consumption Standby	3W
Cable Management	Through pole centre
Mounting Patterns Supported	VESA 400, 300, 200 W x 400, 300, 200 H
Control Options	IR Remote, RS232, Contact Closure
Product Options / Features	Specific B&O and Loewe mounts / adapters, Custom RAL paint finishes, Marine suitable version
Package Contents	Mechanism, IR remote control
Marine Suitable	No

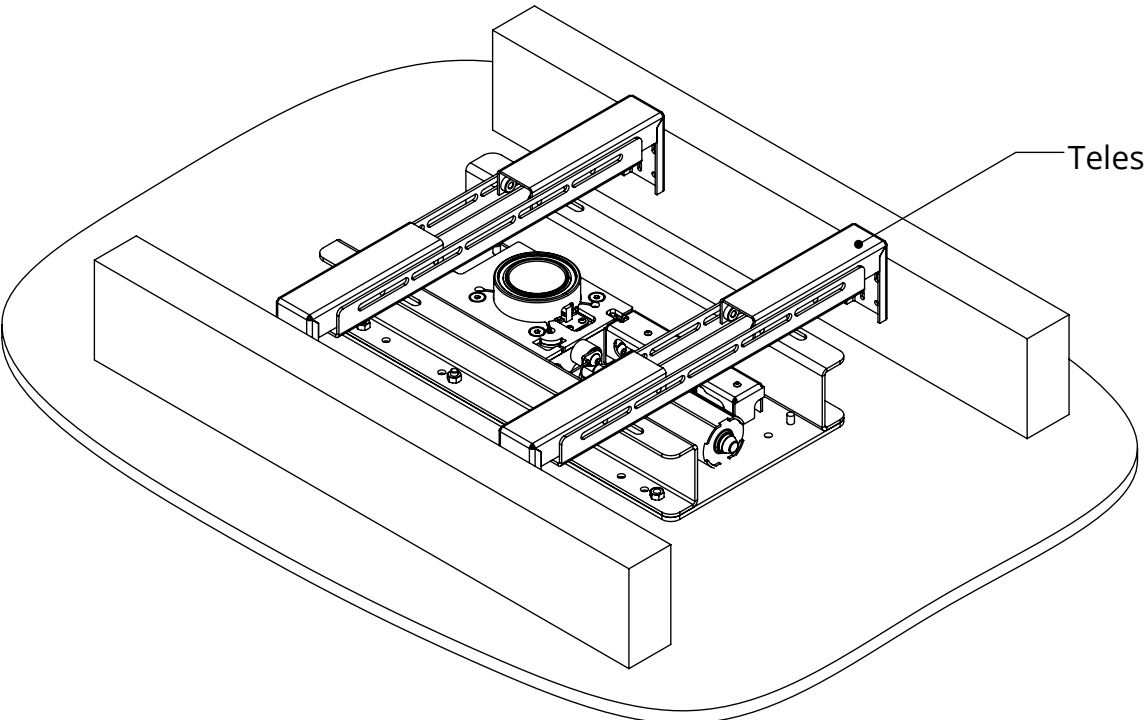
CME CEILING MOUNT ELECTRIC

MECHANISM MOUNTING OPTIONS

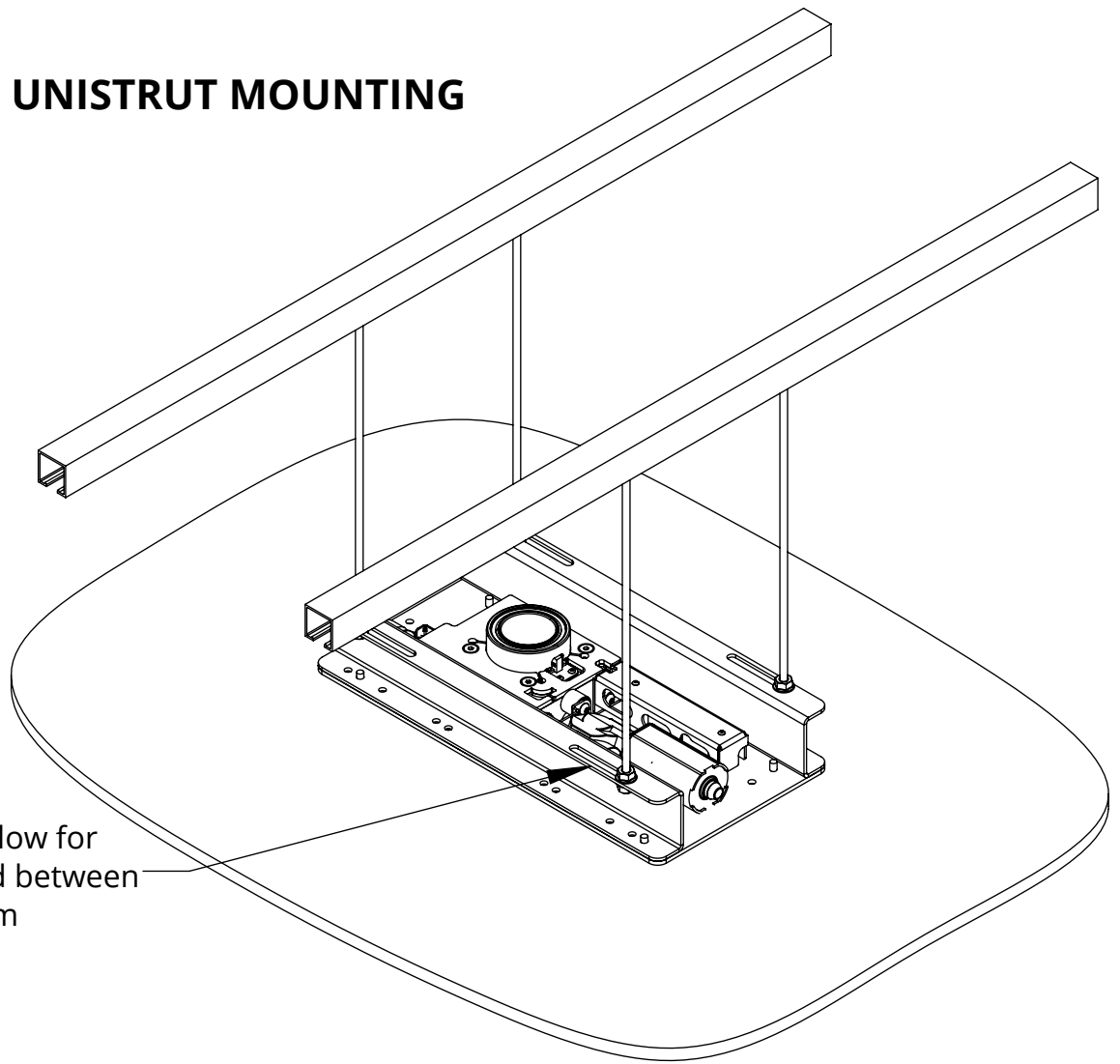
The mechanism is supplied with all necessary components for mounting between joists, on a flat platform between joists, or to suspend from a Unistrut arrangement above.

Telescopic Joist Mounting Brackets are attached as standard and must be removed for platform or unistrut mounting.

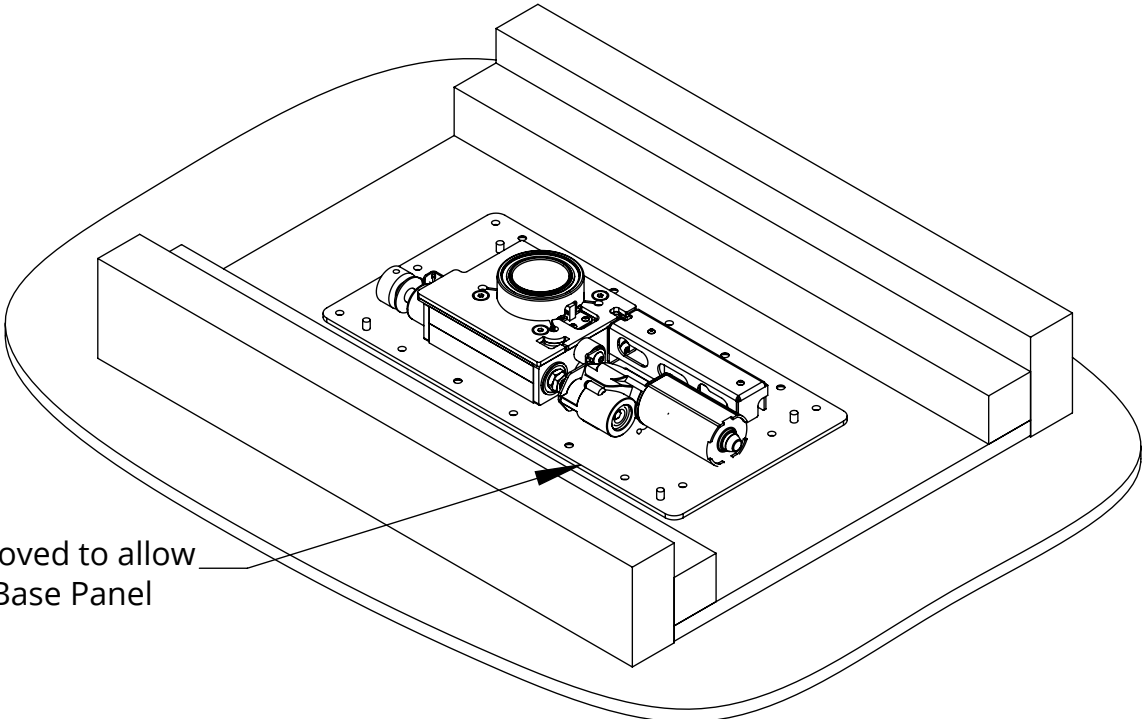
MOUNTING BETWEEN JOISTS



UNISTRUT MOUNTING



PLATFORM MOUNTING



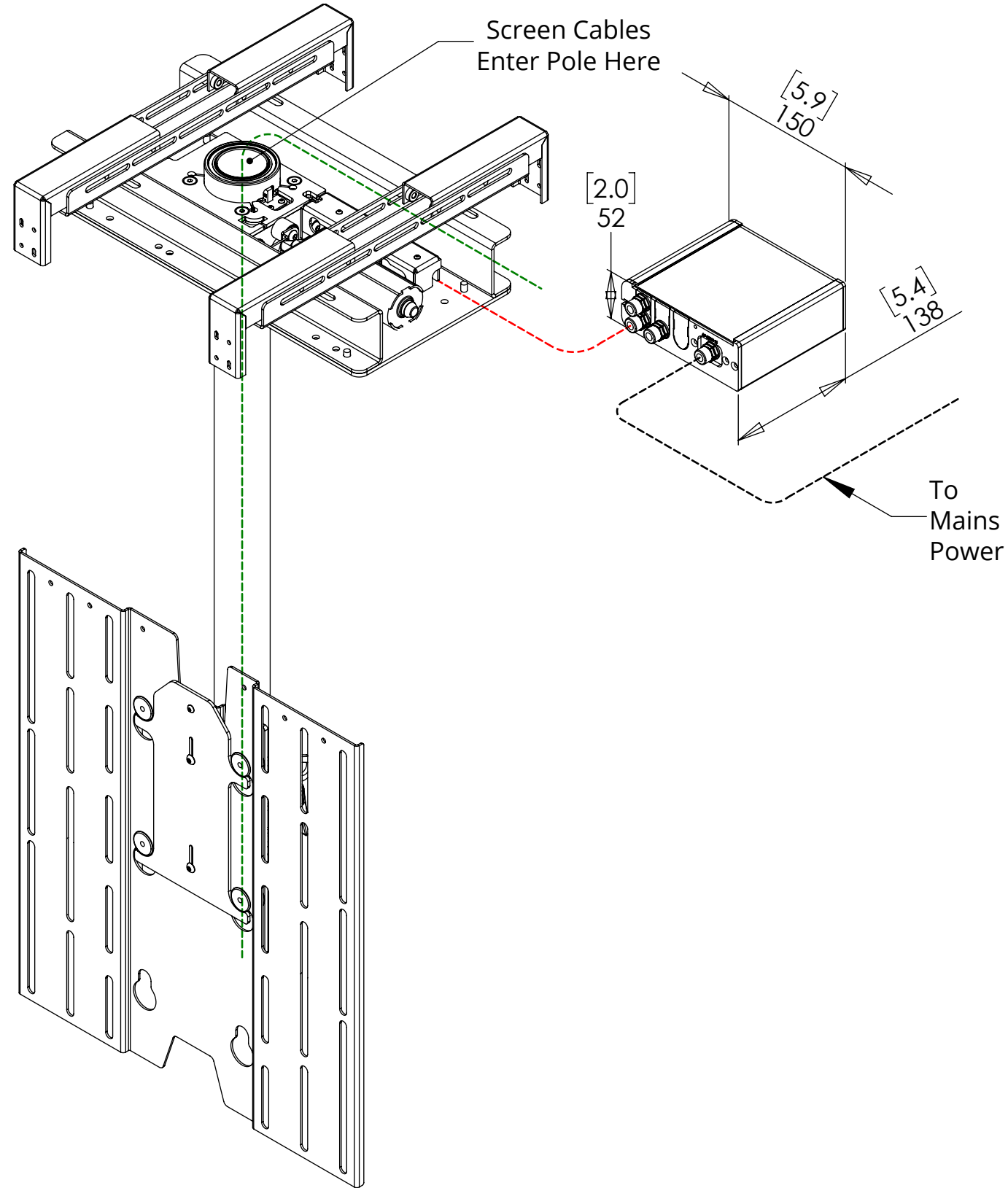
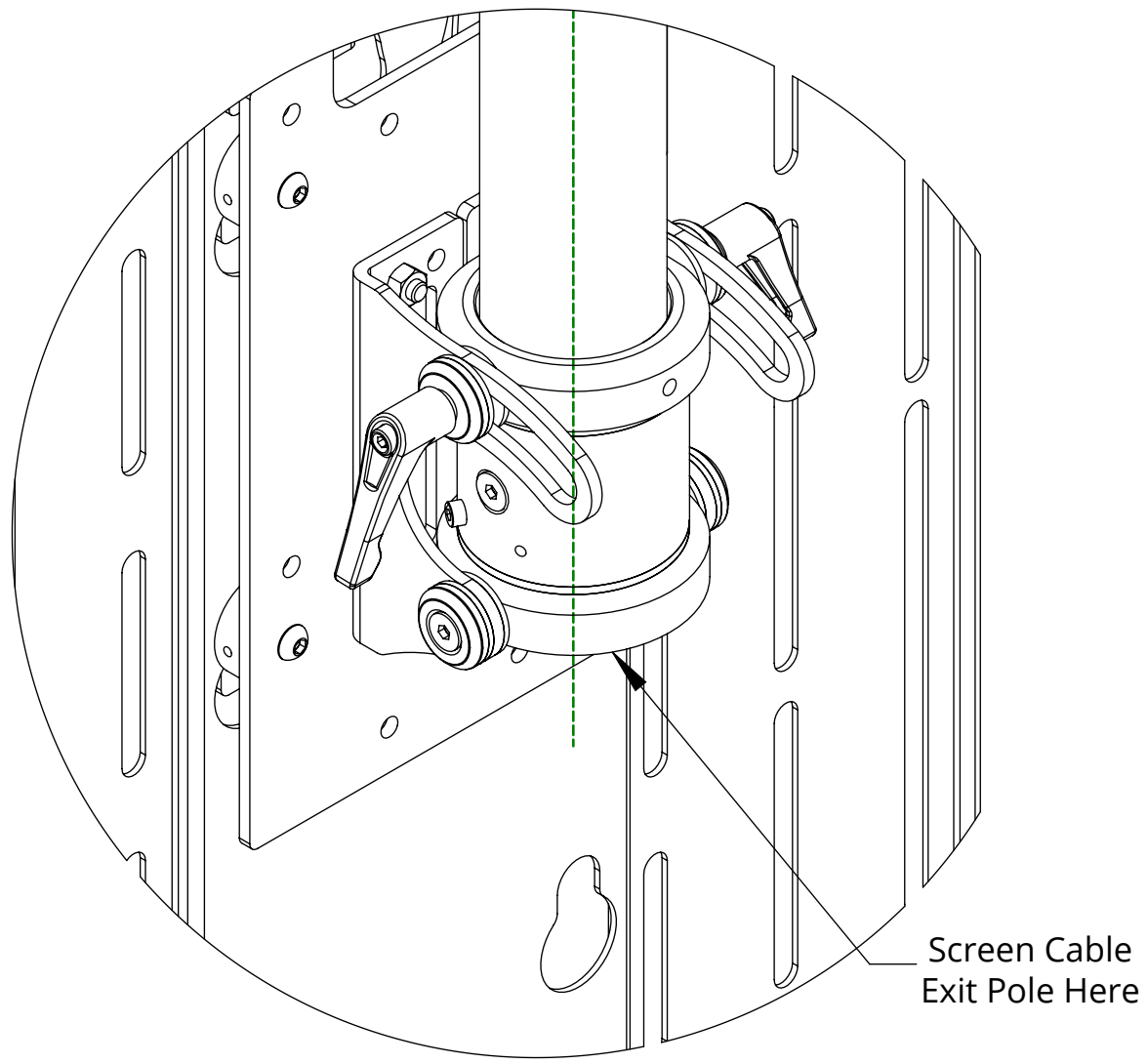
CME CEILING MOUNT ELECTRIC

Cable Management

The CME's mounting allows for cables from the screen to be fed through the intergrated cable management. This allows the cables to be stowed tidily and safely within the mechanism.

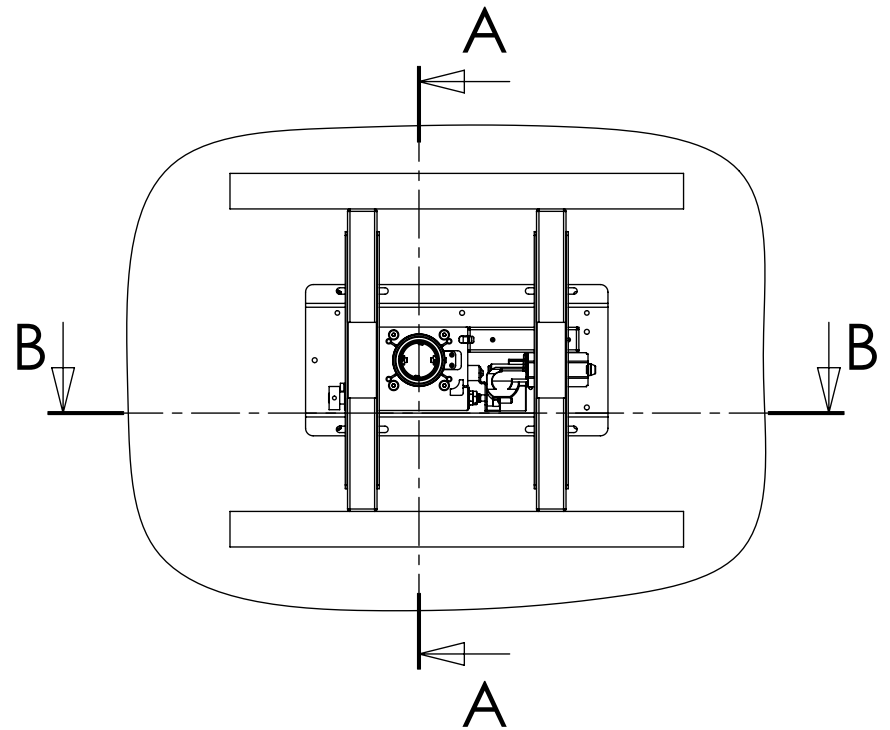
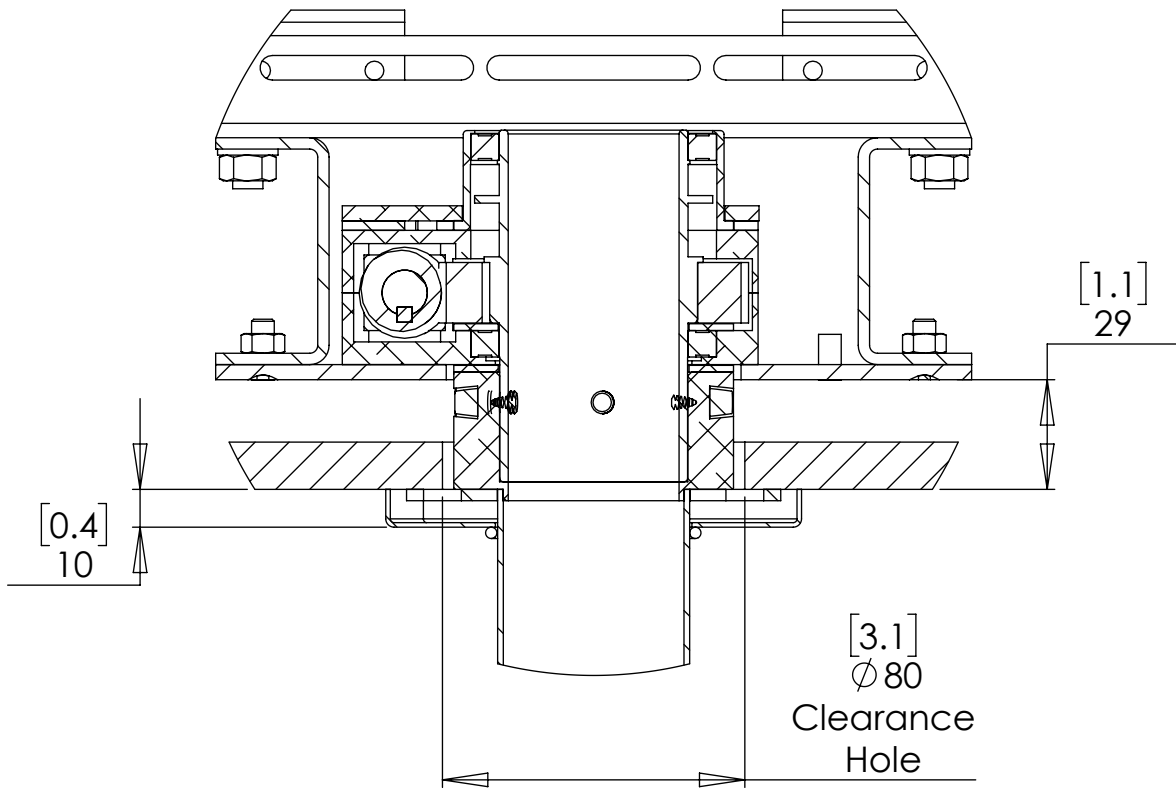
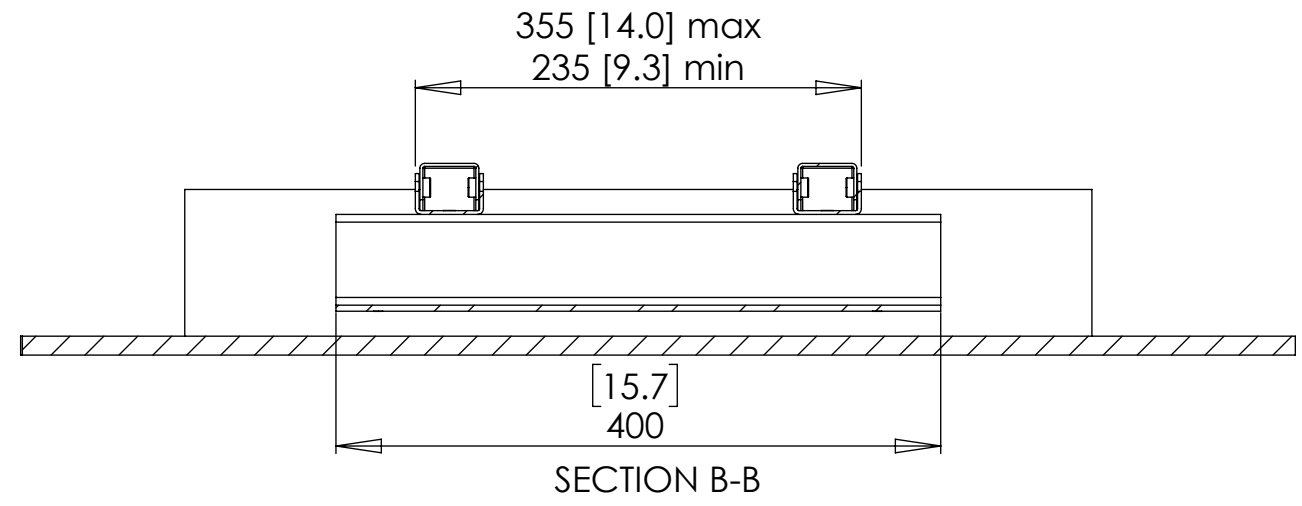
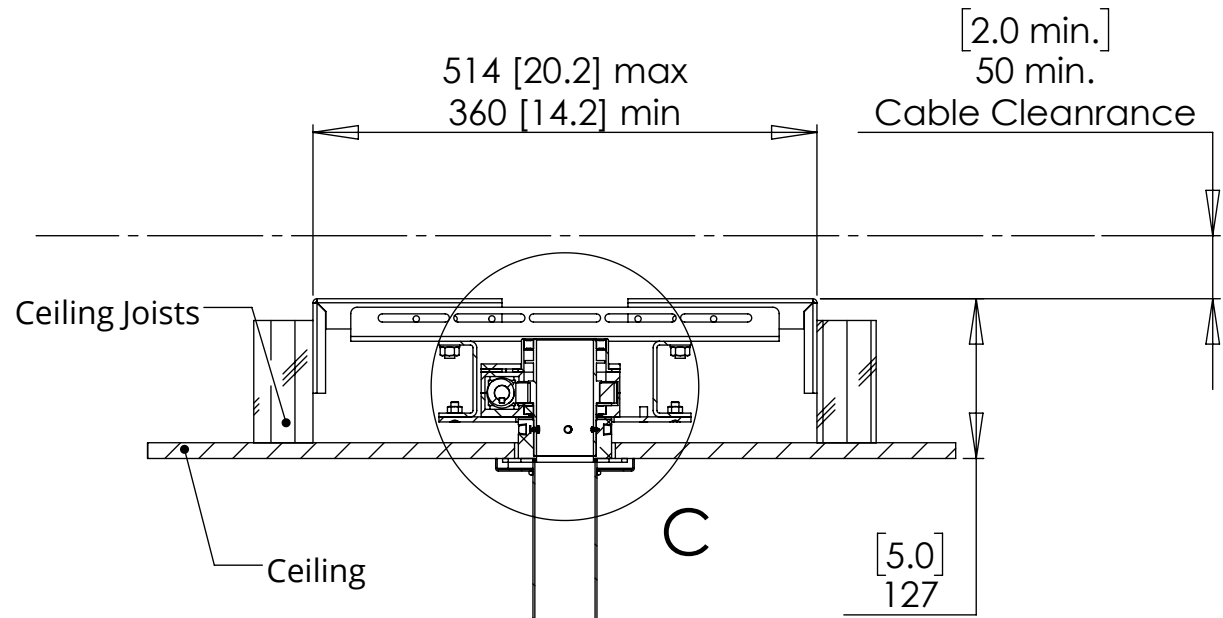
The Mechanism Cable should be routed to the provided control box. This should be stored in an easily accessible location.

- Screen Cables
- Mechanism Cables
- Power Cable



CME CEILING MOUNT ELECTRIC

MOUNTING BETWEEN JOISTS



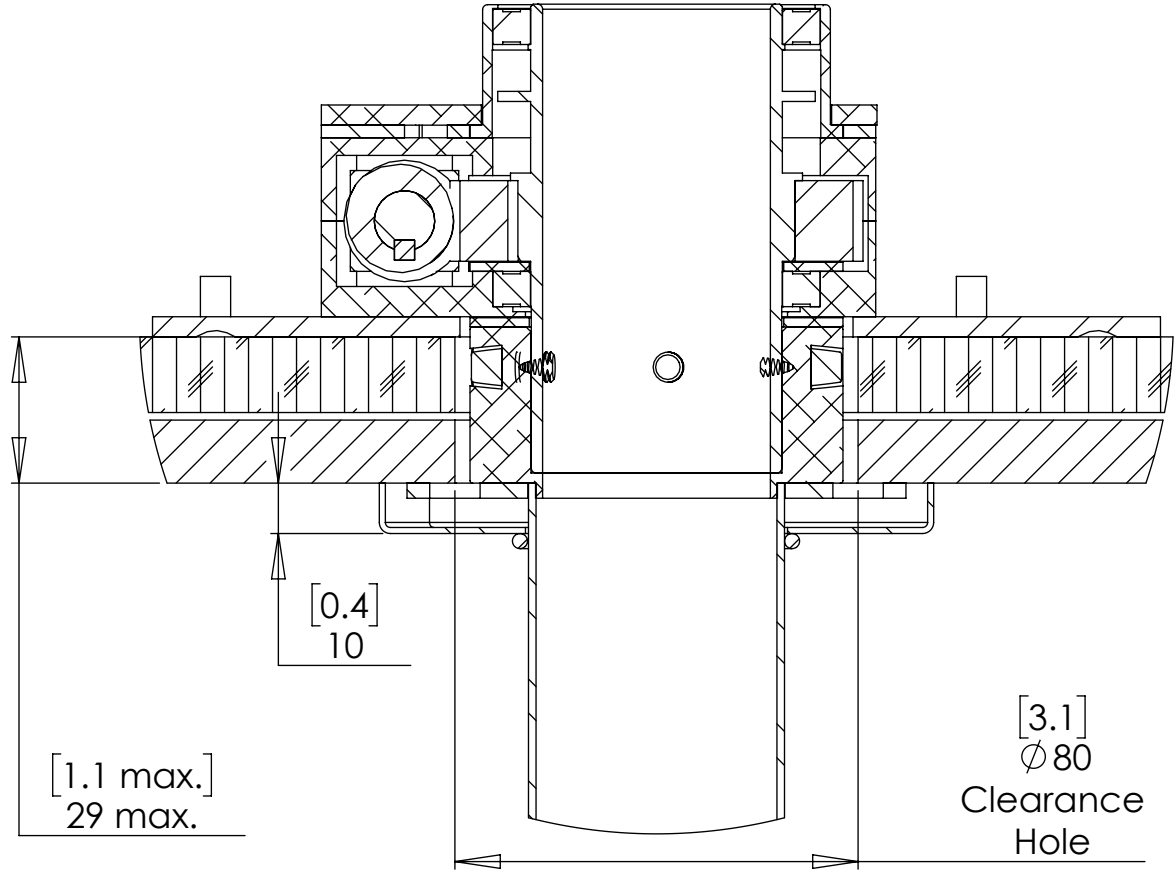
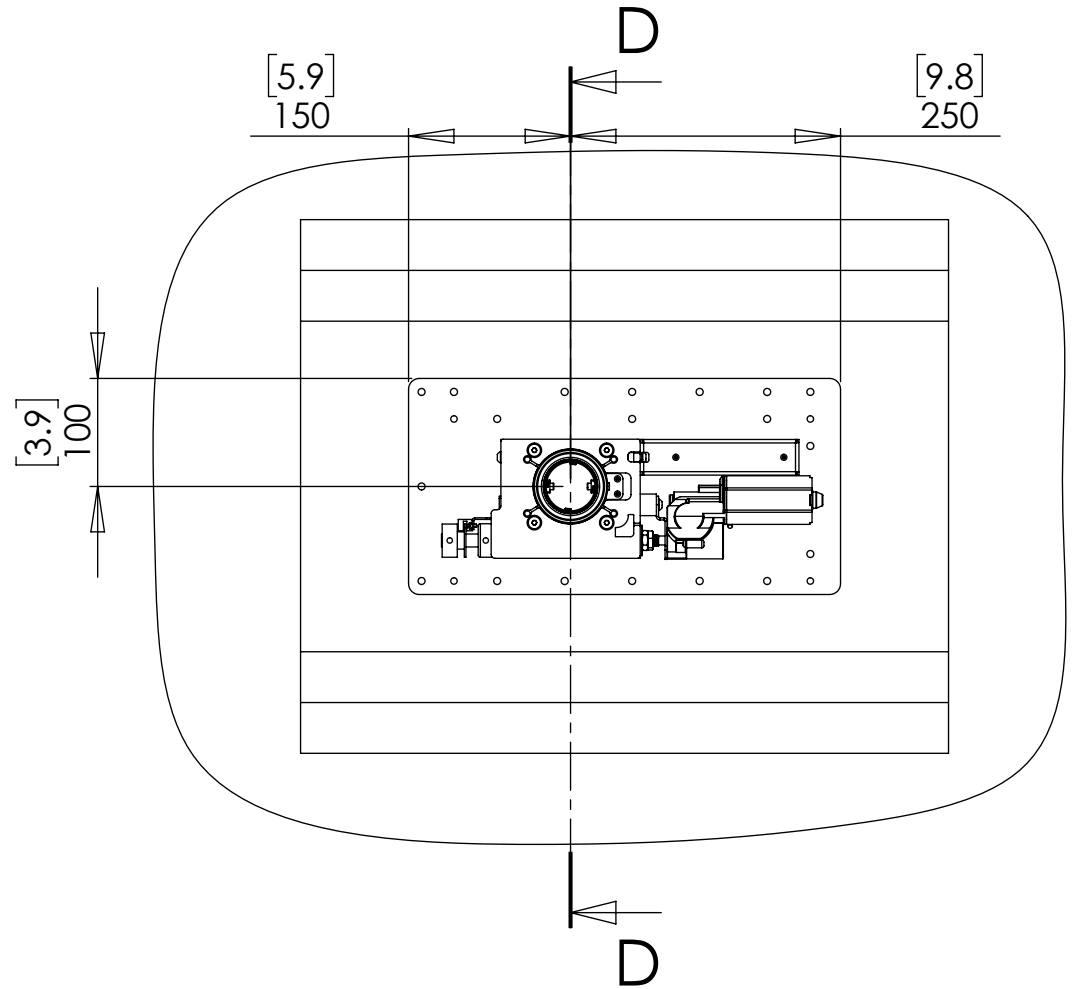
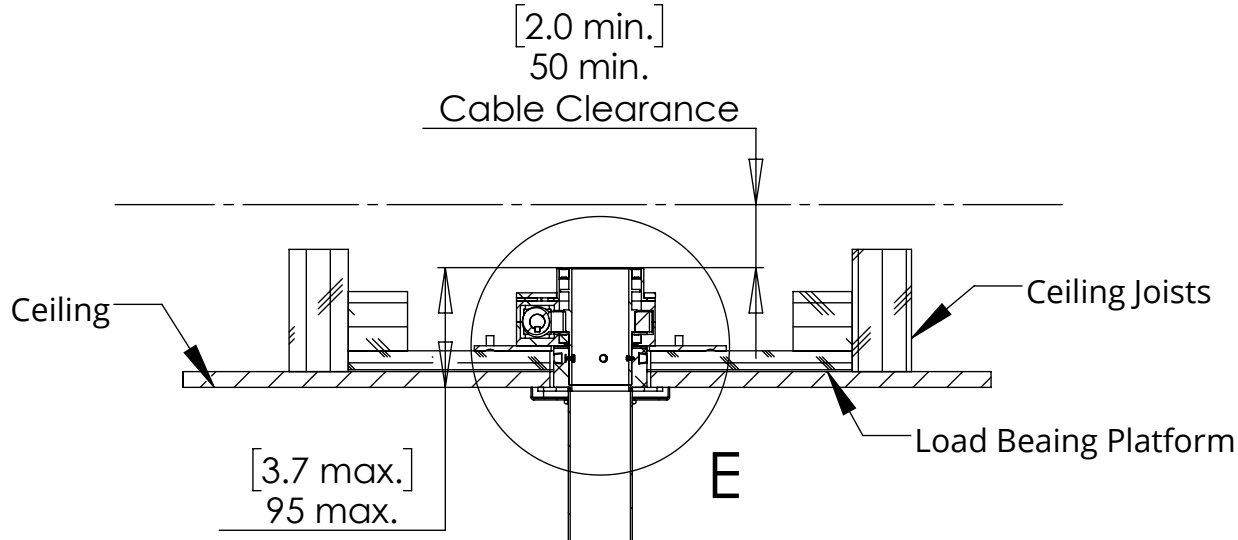
SECTION A-A

DETAIL C

SECTION B-B

CME CEILING MOUNT ELECTRIC

PLATFORM MOUNTING

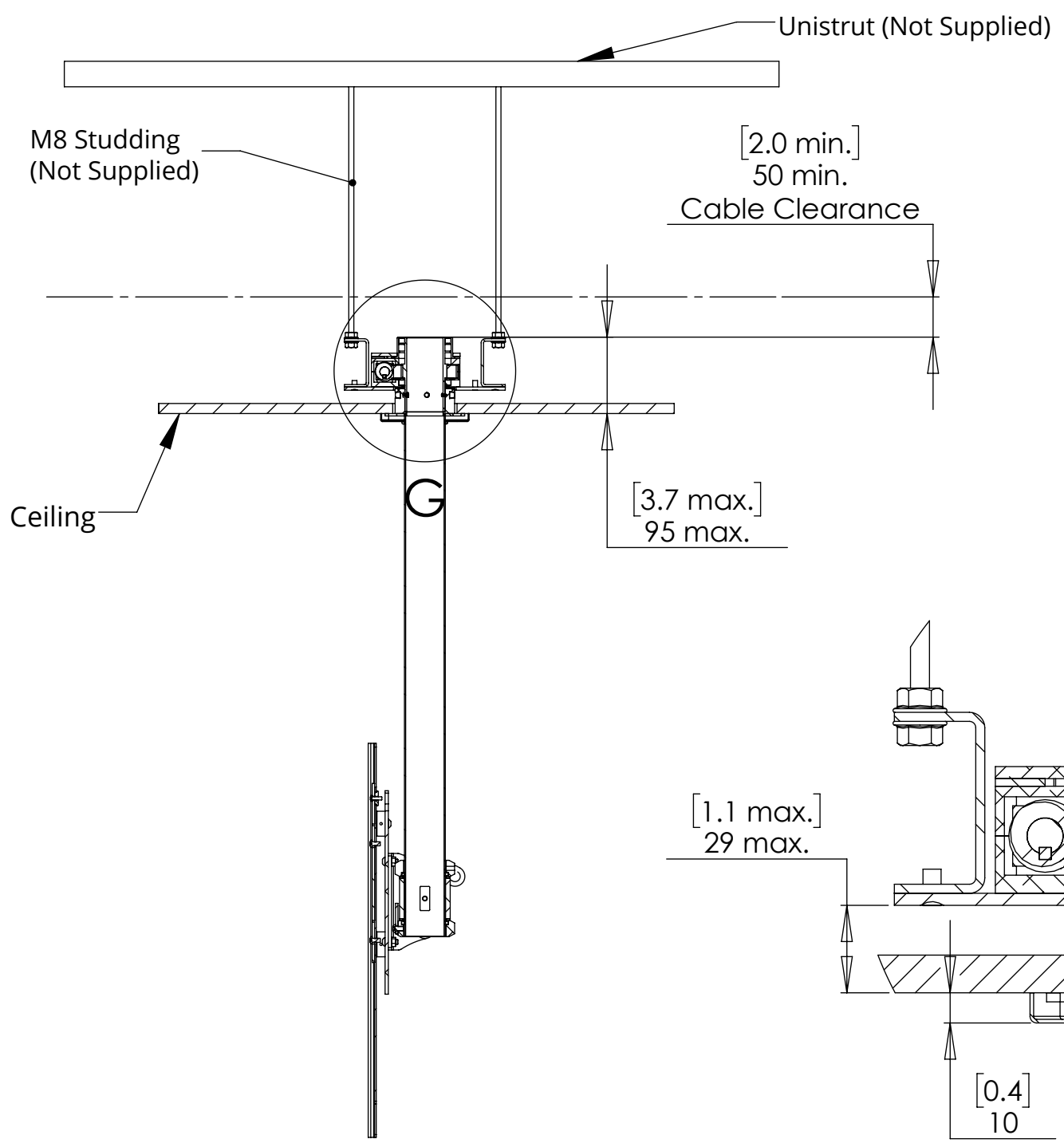


SECTION D-D

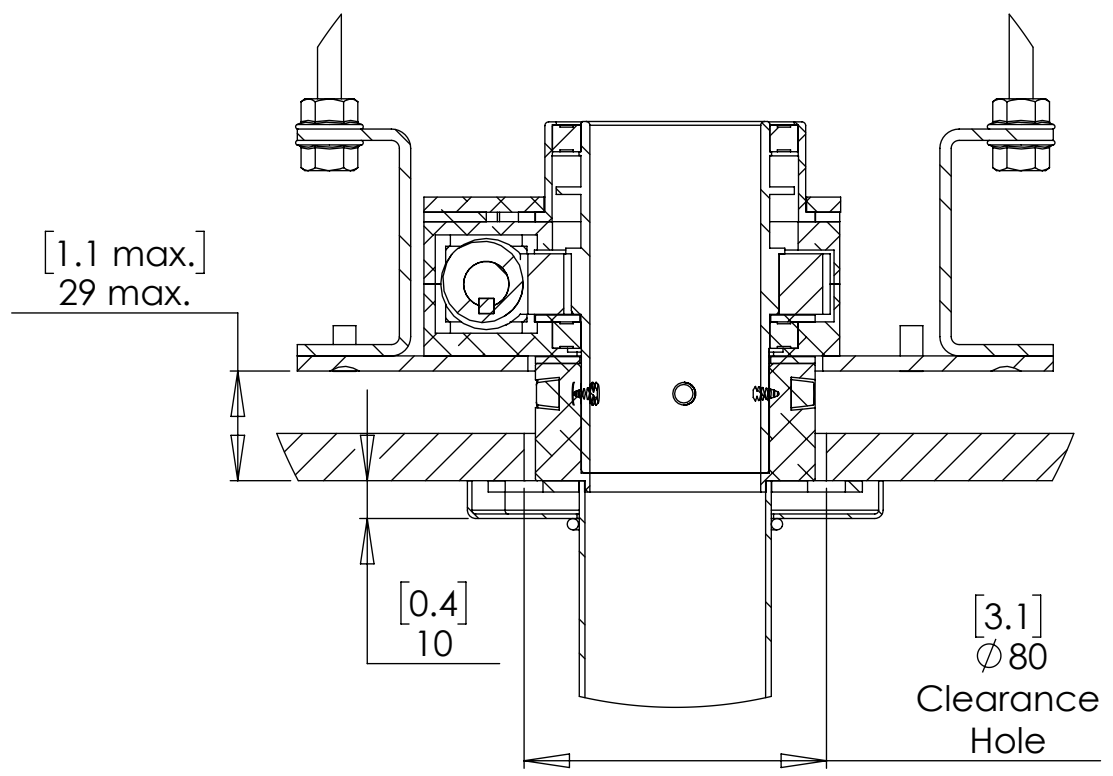
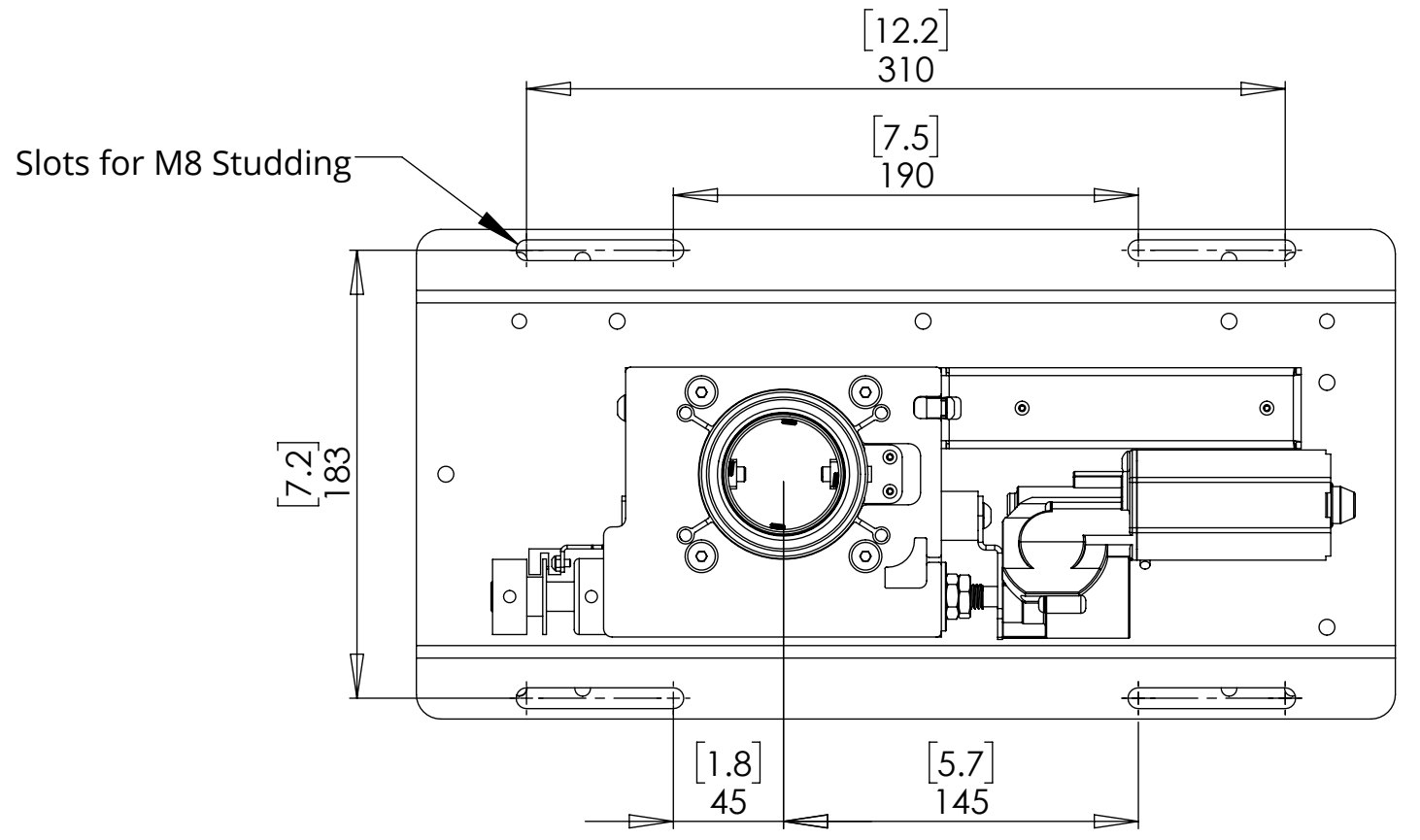
DETAIL E

CME CEILING MOUNT ELECTRIC

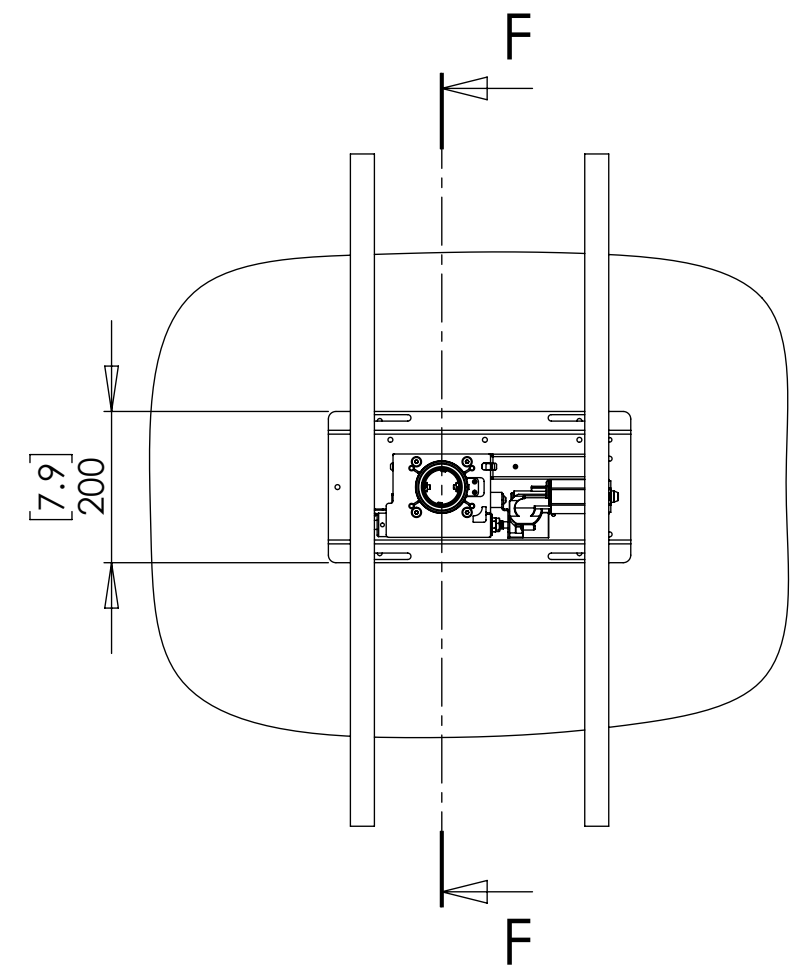
UNISTRUT MOUNTING



SECTION F-F



DETAIL G

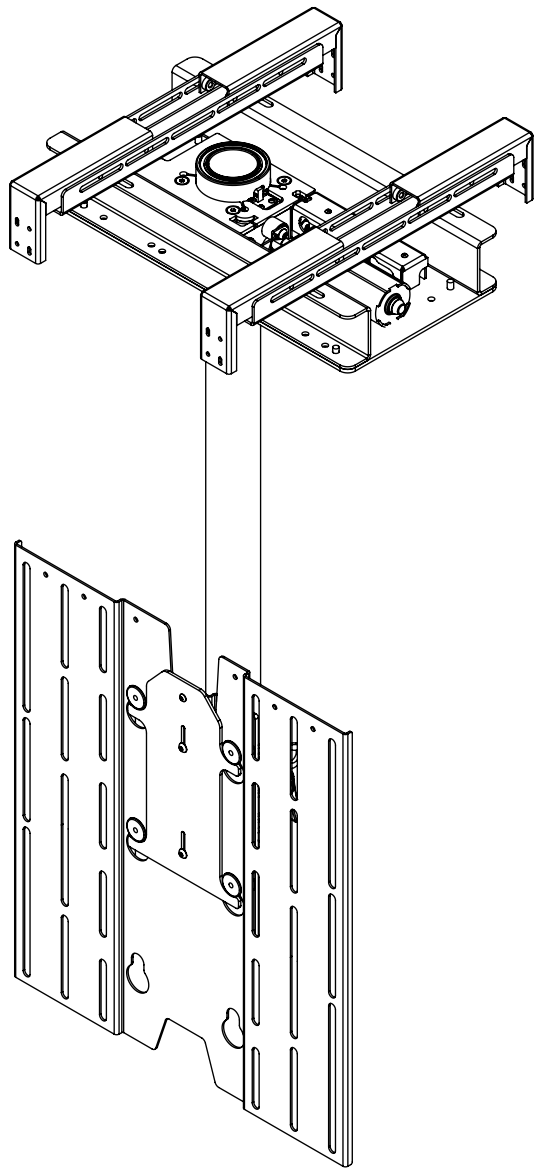
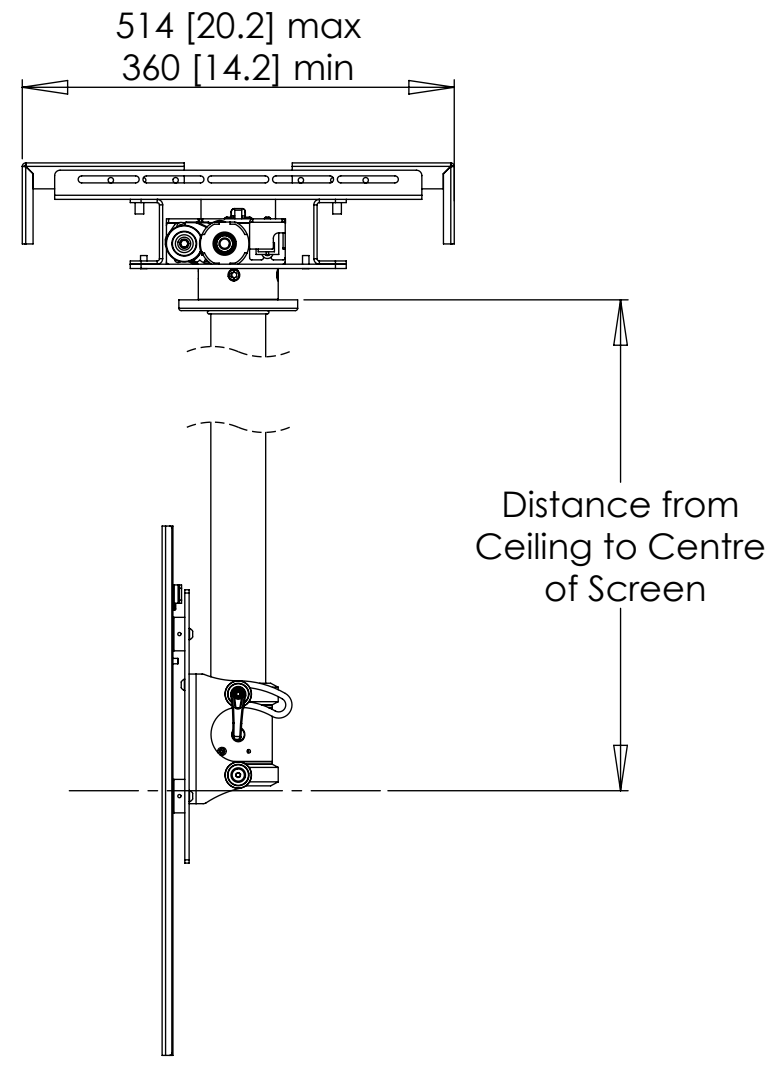
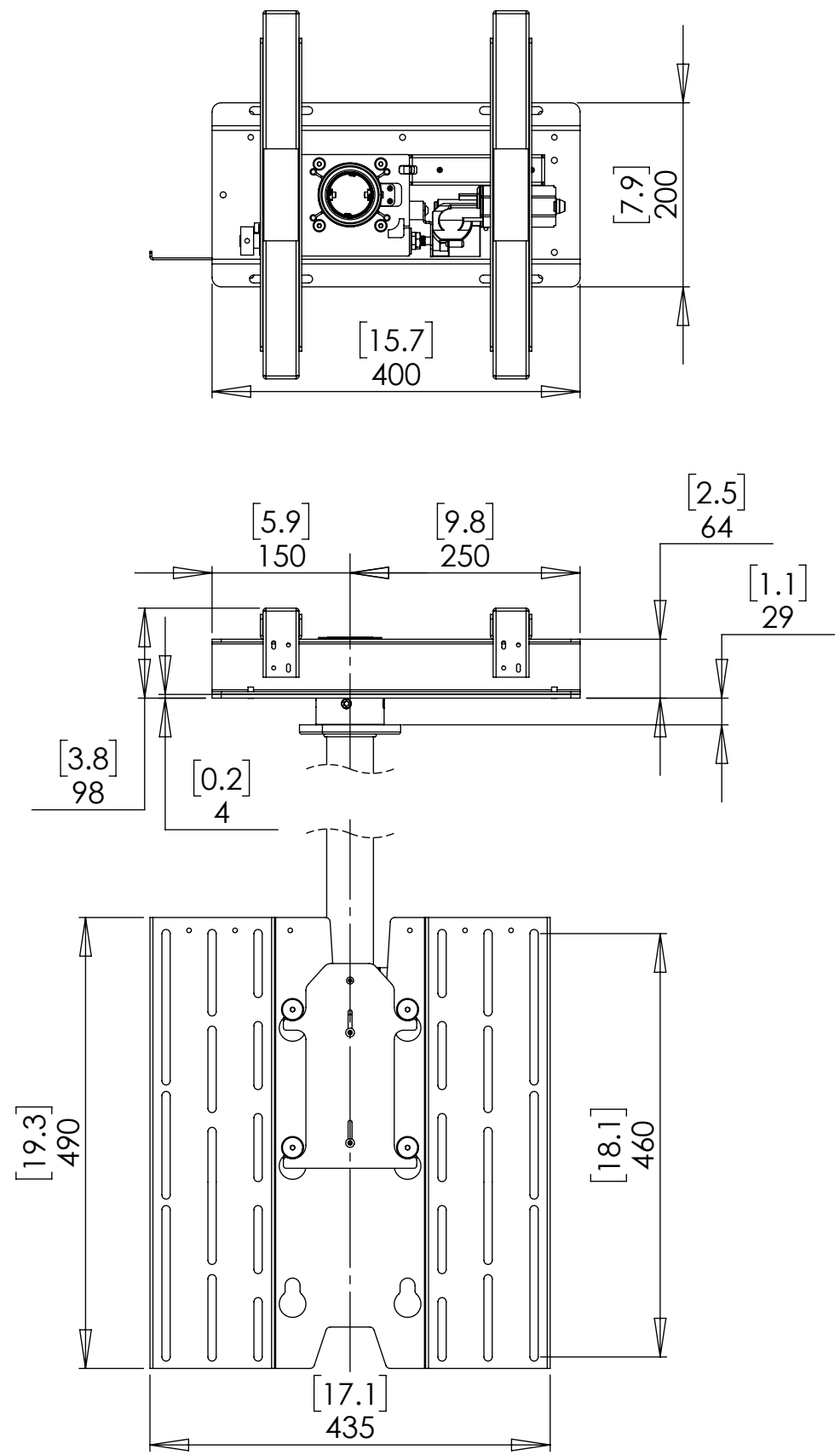


CME CEILING MOUNT ELECTRIC



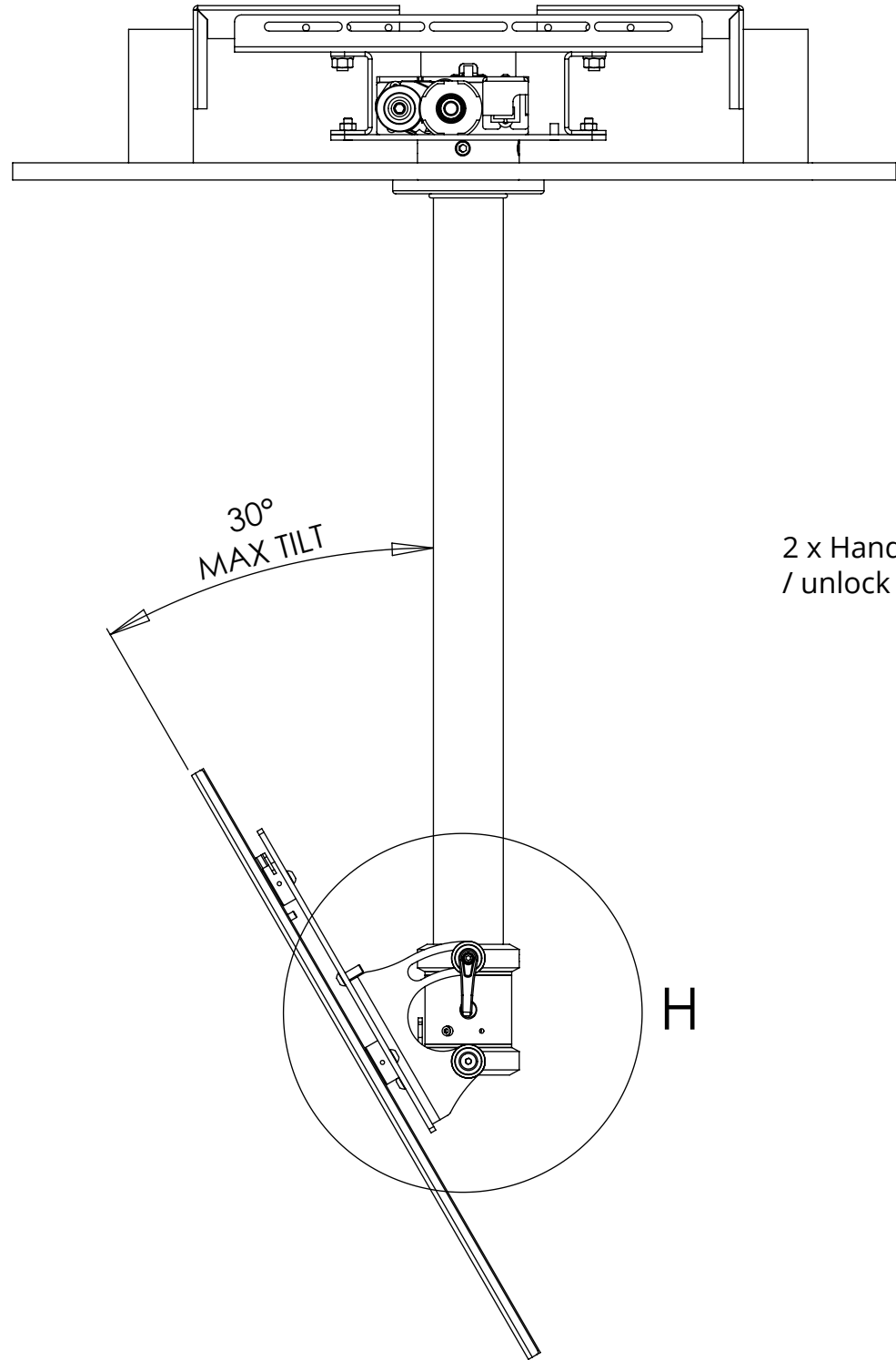
future automation

MECHANISM DIMENSIONS

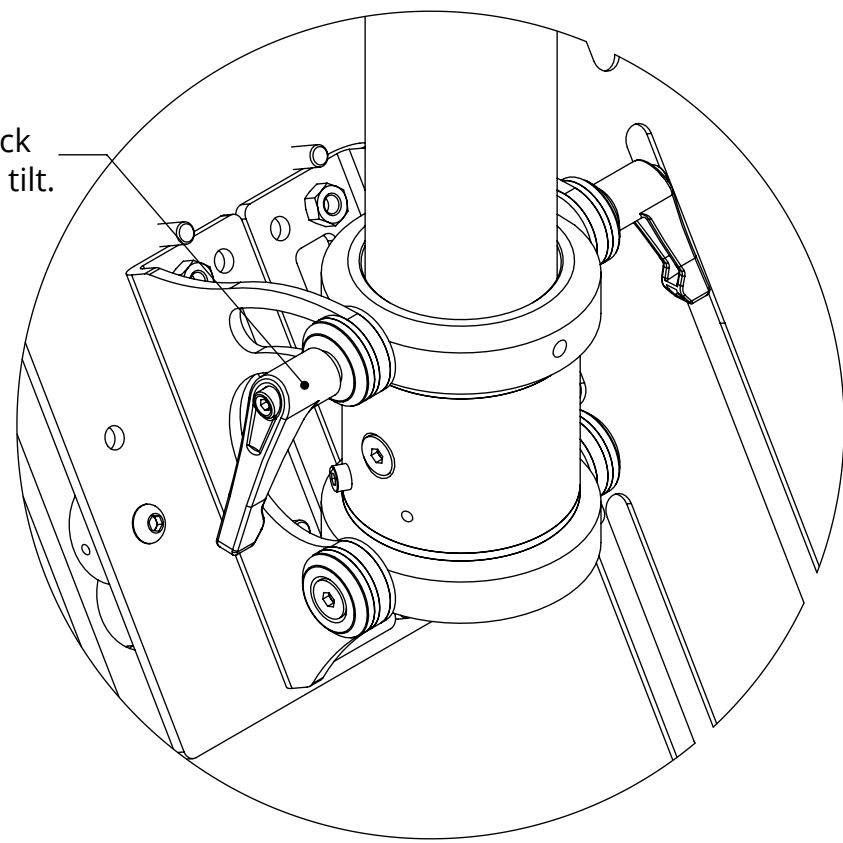


CME CEILING MOUNT ELECTRIC

TILT DETAILS



2 x Handles used to lock / unlock ceiling mount tilt.



DETAIL H

