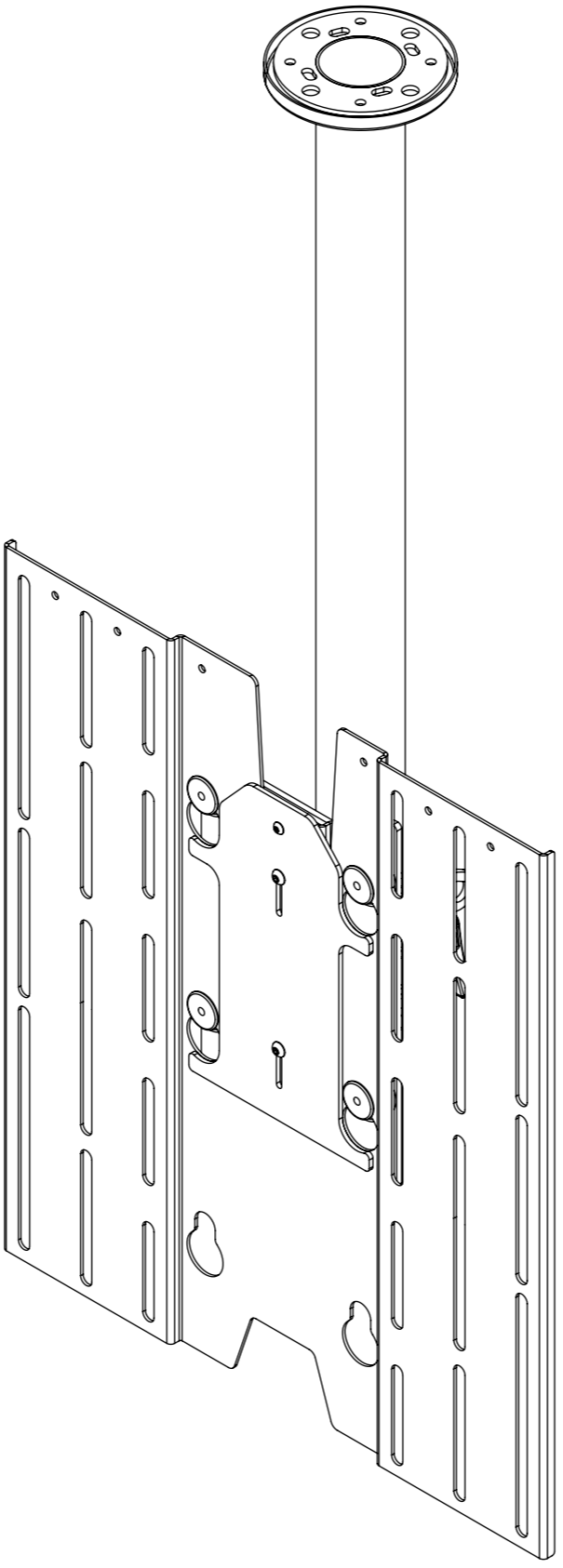


# CM CEILING MOUNT



future automation



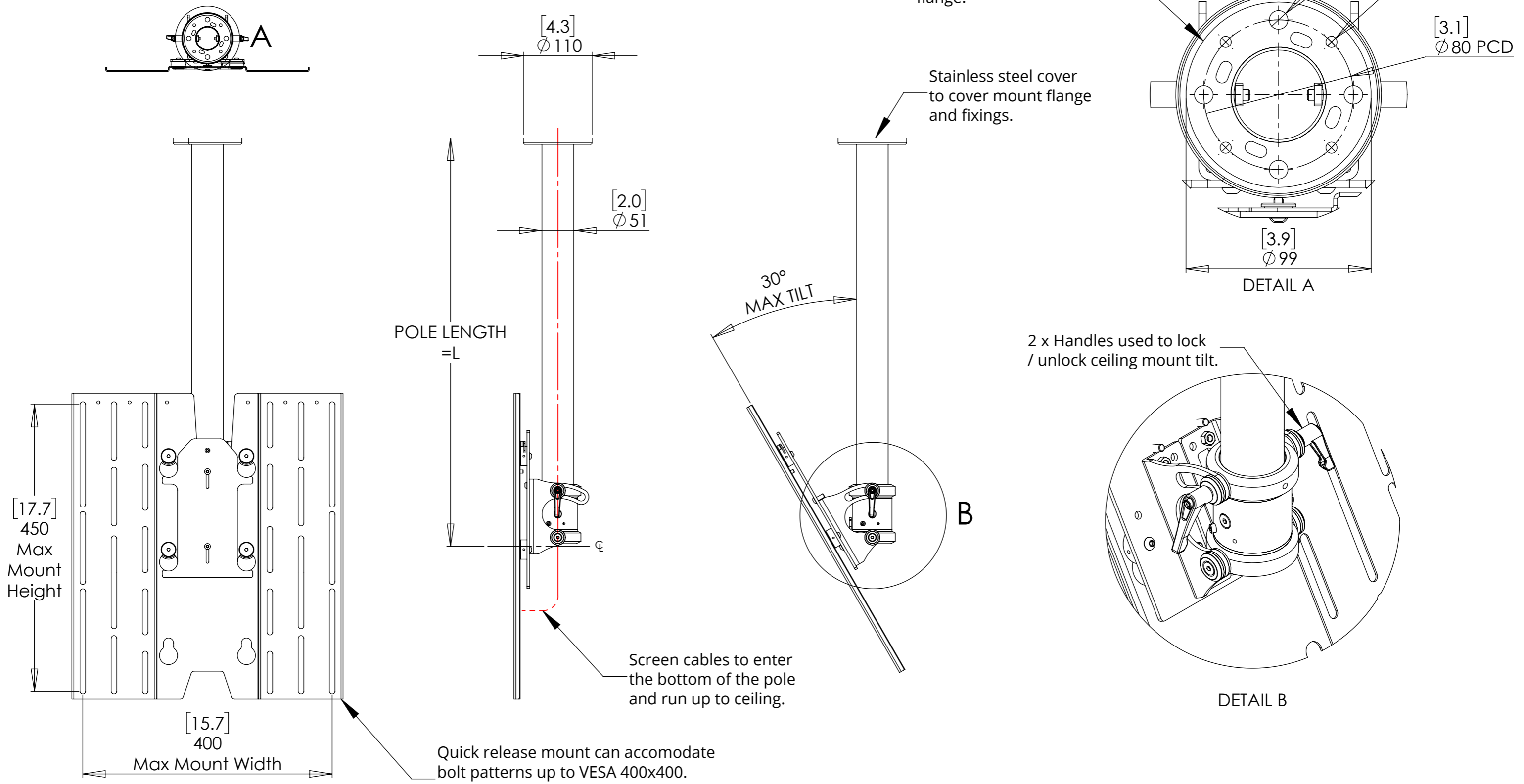
# CM CEILING MOUNT



SPECIFICATION	MEASUREMENTS
Pole Outer Diameter	51mm (2")
Pole Inner Diameter	48mm (1.88")
Maximum Weight Capacity	50Kg (110lb)
Maximum Pole Length (L)	1500mm (59")
Pole Centre to Rear of screen	71mm (2.8")
Packaging Dimensions	Variable
Shipping Weight	Variable
Maximum Rotation	360°
Maximum Tilt	30°
Rotation Restriction	Adjustable Stops
Cable Management	Through centre of pole
Mounting Patterns Supported	VESA 400, 300, 200 W x 400, 300, 200 H
Product Options / Features	Specific B&O and Loewe mounts / adapters, Custom RAL paint finishes
Package Contents	Mechanism, Bolt Pack
Marine Suitable	No

# CM CEILING MOUNT

## MOUNT DIMENSIONS



Custom mount options available.

# CM CEILING MOUNT



future automation

## MOUNT CONFIGURATIONS

A standard adjustable height VESA 400 mount is included. This is also compatible with VESA 300 and 200 mounting patterns.

With any length pole the screen mount allows up to -45mm [1.8"] and +100mm [4.0"] of height adjustment by switching its orientation.

Separate VESA 300 and 200 mounts are available for smaller screens.

