

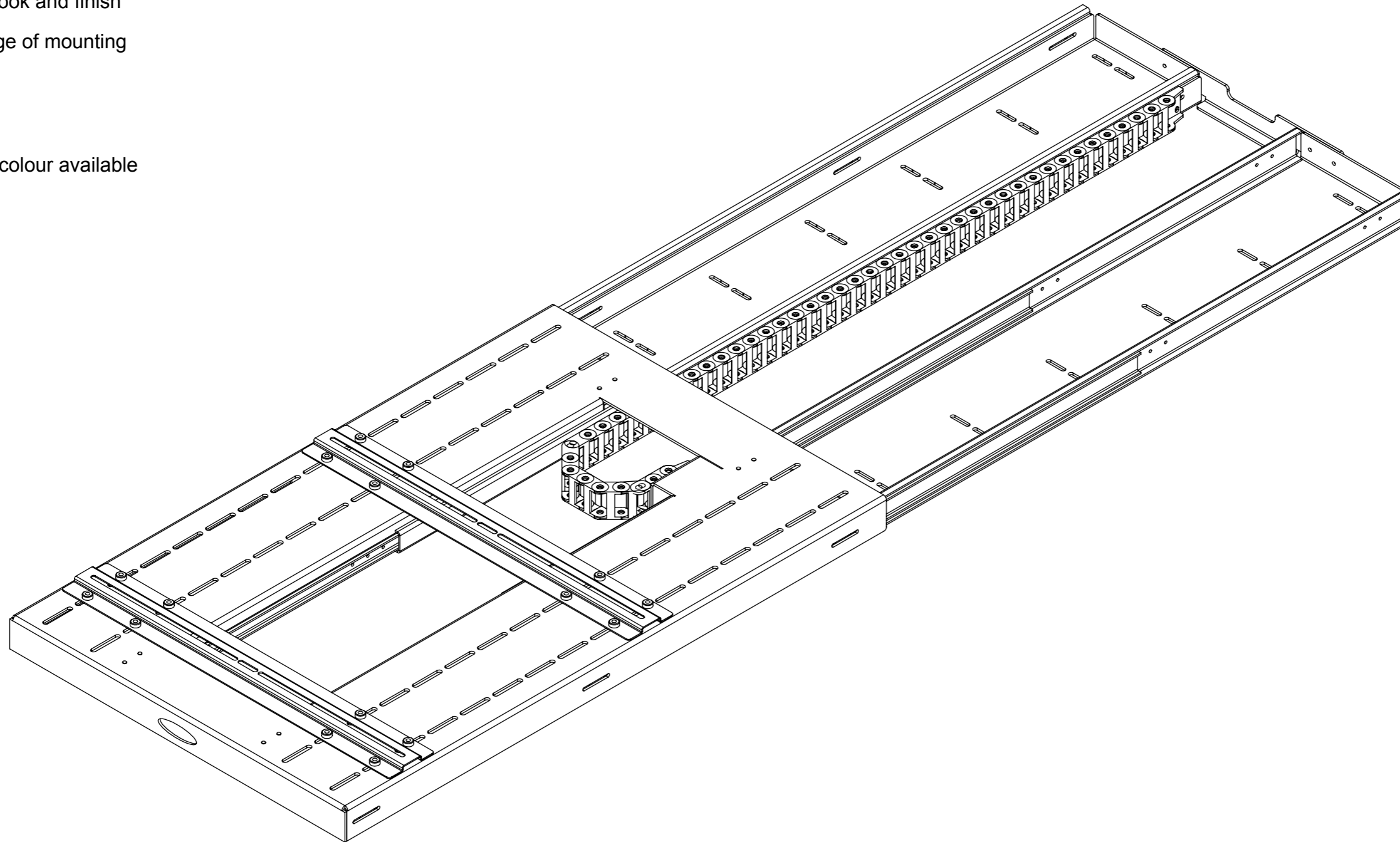


DESIGN HIGHLIGHTS

- Smooth sliding action
- In position latch
- Full cable management
- Discrete look and finish
- Wide range of mounting options

OPTIONS

- Any RAL colour available



FUNCTION

A manual slide bracket that allows a large projector to be slid out of a recess for servicing.

Cables for the projector can be routed through the bracket for a very neat look.

SUITABILITY

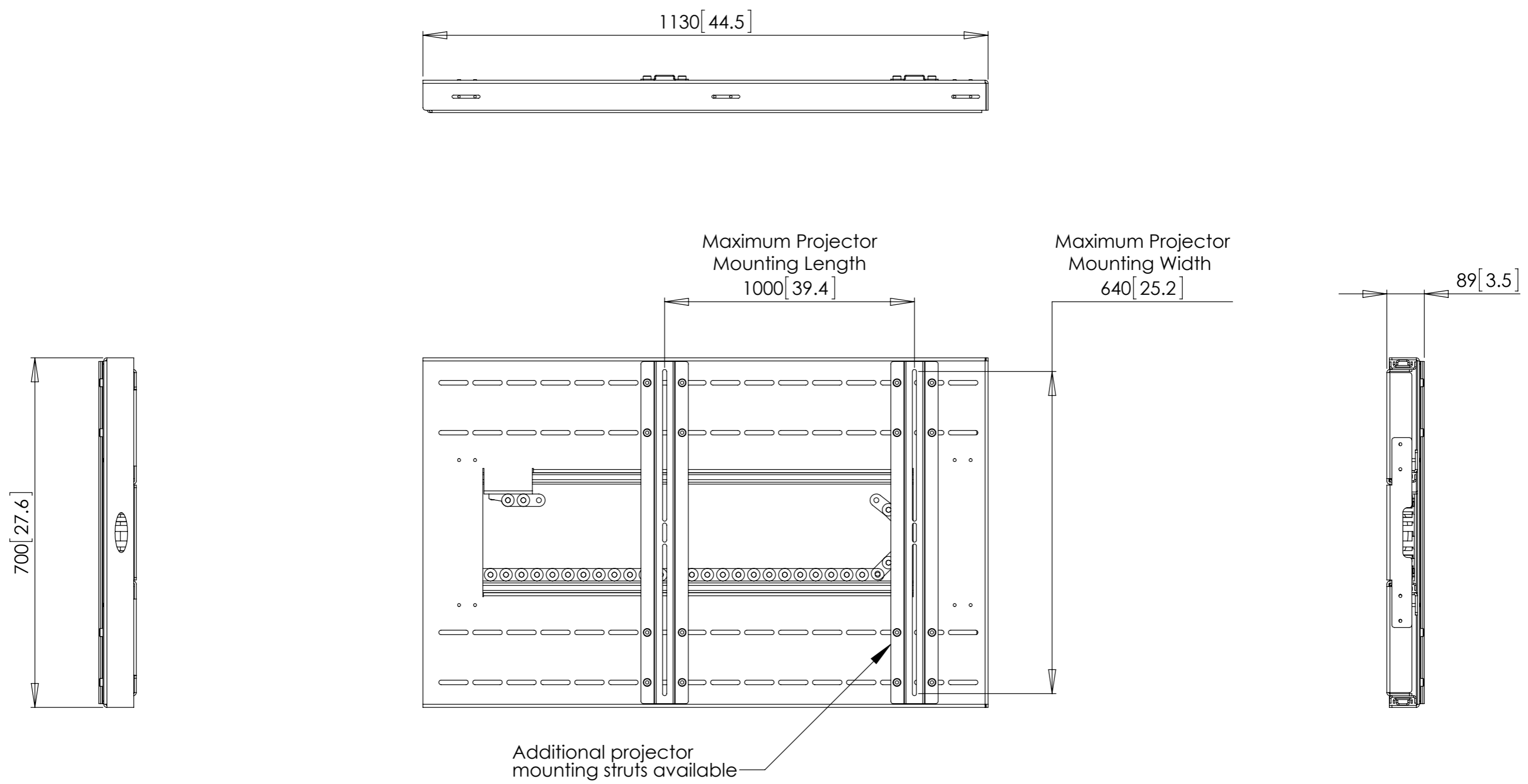
The PST has a maximum travel distance of 1100mm [43.25"] and is capable of mounting projectors weighing up to 100Kg [220lb].

SPECIFYING

Check make up of mounting surface to be used.

Check projector details for mounting possibilities.

Mechanism shown in the IN position



Mechanism shown in the OUT position

