

James

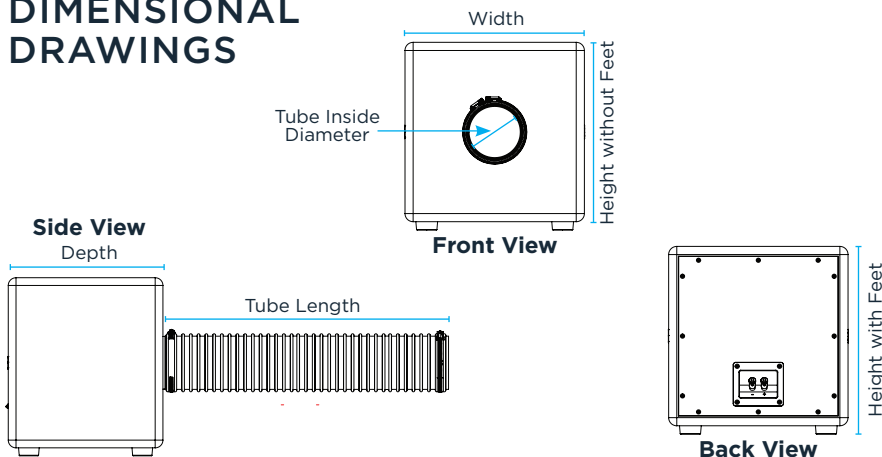
BY SONANCE

POWERPIPE X SERIES DATA SHEET

TECHNICAL SPECIFICATIONS

| SKU | PPX8-M 60665 - Each | PPX10-M 60667 - Each | PPX12-M 60668 - Each | PPX15-M 60669 - Each |
|-------------------------------|---|---|---|---|
| Woofers | 8" (205mm) anodized aluminum cone, rubber surround, high excursion | 10" (254mm) anodized aluminum cone, rubber surround, high excursion | 12" (305mm) anodized aluminum cone, rubber surround, high excursion | 15" (381mm) anodized aluminum cone, rubber surround, high excursion |
| Frequency Response | 44Hz - 130Hz +/-3dB | 39Hz - 115Hz +/-3dB | 34Hz - 100Hz +/-3dB | 29Hz - 90Hz +/-3dB |
| Impedance | 4 ohms nominal | 4 ohms nominal | 4 ohms nominal | 4 ohms nominal |
| Sensitivity (2.83V/1m) | 91dB SPL | 92dB SPL | 93dB SPL | 94dB SPL |
| Enclosure | Marine-Grade Aluminum | Marine-Grade Aluminum | Marine-Grade Aluminum | Marine-Grade Aluminum |
| Finish | Textured Black | Textured Black | Textured Black | Textured Black |
| Recommended Power | 300 watts | 400 watts | 500 watts | 600 watts |
| Recommended Amplifiers | Blaze Powerzone Connect 1002 2004 4008 Sonance DSP 2-750 MKIII | Blaze Powerzone Connect 1502 3004 6008 Sonance DSP 2-750 MKIII | Blaze Powerzone Connect 1502 3004 6008 Sonance DSP 2-750 MKIII | Blaze Powerzone Connect 1502 3004 6008 Sonance DSP 2-750 MKIII |
| Tube Inside Diameter | 4.02" (102mm) | 4.02" (102mm) | 5.98" (152mm) | 5.98" (152mm) |
| Tube Length | 21.65" (550mm) | 21.65" (550mm) | 25.59" (650mm) | 25.59" (650mm) |
| Product Dims w/ Feet (WxHxD) | 11.81" x 12.42" x 11.5" (300mm x 315mm x 292mm) | 12.99" x 13.6" x 11.81" (330mm x 346mm x 300mm) | 15.75" x 16.36" x 15.16" (400mm x 415mm x 385mm) | 17.72" x 18.33" x 16.93" (450mm x 466mm x 430mm) |
| Product Dims w/o Feet (WxHxD) | 11.81" x 11.81" x 11.5" (300mm x 300mm x 292mm) | 12.99" x 12.99" x 11.81" (330mm x 330mm x 300mm) | 15.75" x 15.75" x 15.16" (400mm x 400mm x 385mm) | 17.72" x 17.72" x 16.93" (450mm x 450mm x 430mm) |
| Product Weight | 30.56 lbs. (13.86kg) | 38.27 lbs. (17.36kg) | 55.87 lbs. (25.34kg) | 68.26 lbs. (30.96kg) |
| Shipping Weight | 36.38 lbs. (16.5kg) | 44.75 lbs. (20.3kg) | 64.37 lbs. (29.2kg) Team lift required | 79.37 lbs. (36kg) Team lift required |

DIMENSIONAL DRAWINGS



ACCESSORIES

- PPX-8R | 93796**
PPX 8" XPC Grille Connector
- PPX-6R | 93795**
PPX 6" XPC Grille Connector
- PPX-4R | 93794**
PPX 4" XPC Grille Connector
- PPX-6-90 | 93793**
PPX 90-Degree Adapter
- PPX-4to6-90-ADAPTER | 93792**
PPX 4" to 6" 90-Degree Adapter
- PPX-4to6-STR-ADAPTER | 93791**
PPX 4" to 6" Straight Adapter
- PPX-3.5x16-2-STR | 93790**
PPX Straight Toekick Connector and Grille
- PPX-3.5x16-2-90 | 93789**
PPX 90-Degree Toekick Connector and Grille
- PPX TOEKICK REPLACEMENT GRILLE | 93799**
Straight or 90-Degree Toekick Connector Required