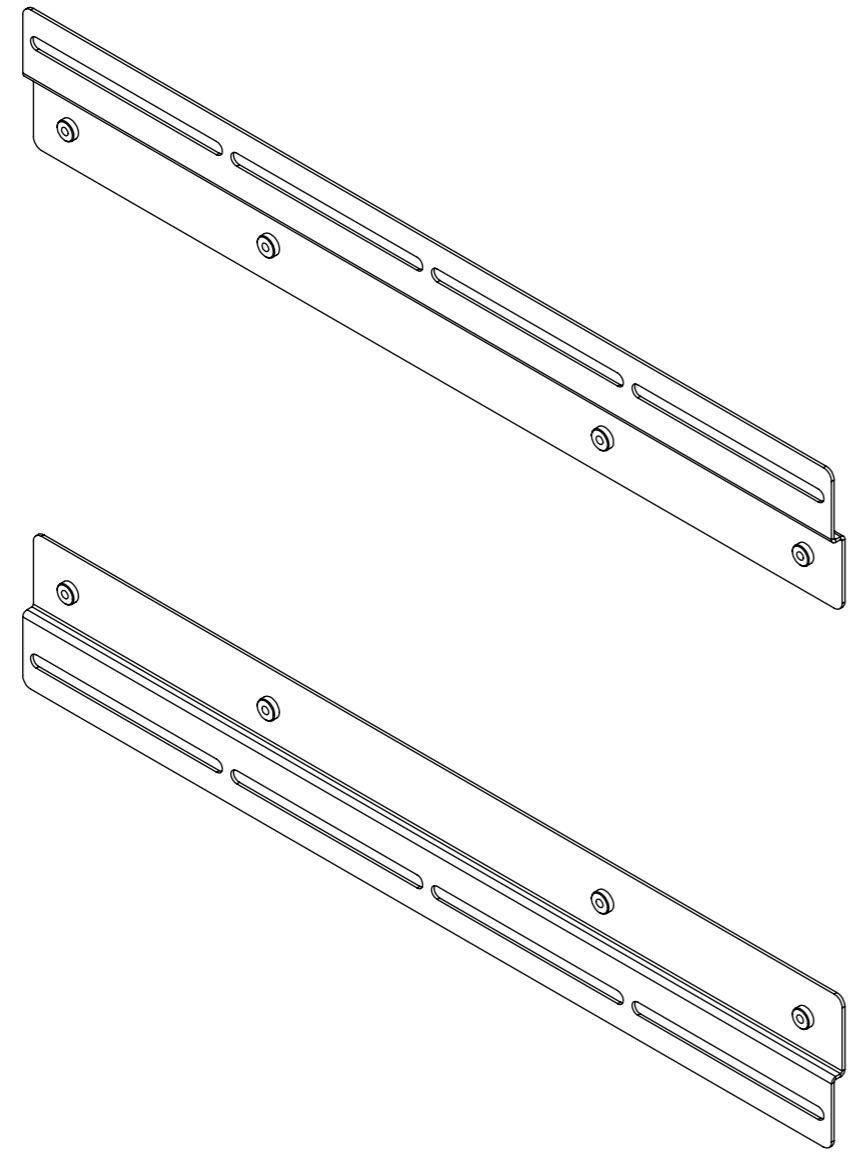


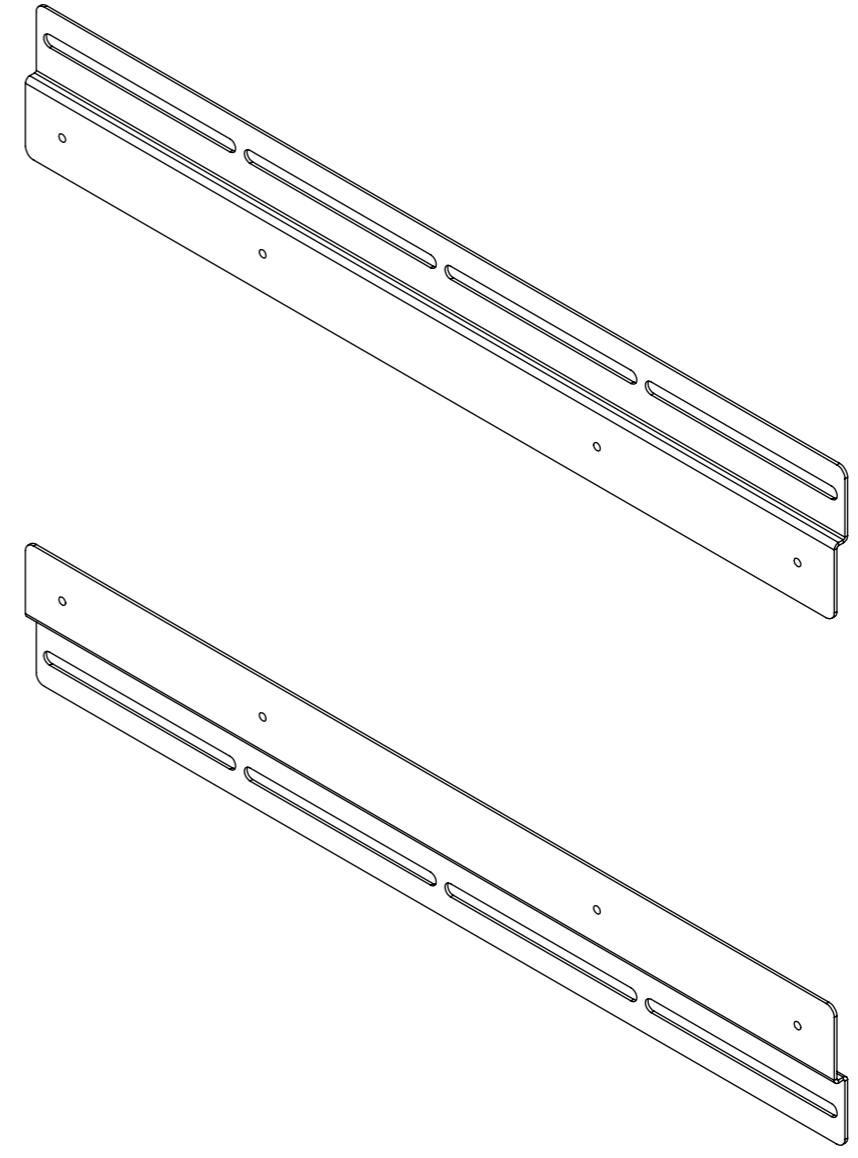
HOA

HORIZONTAL OFFSET ADAPTER

FRONT



REAR



HOA

HORIZONTAL OFFSET ADAPTER



future automation

SPECIFICATION	MEASUREMENTS
Product Dimensions WxHxD	605mm (23.8") x 95mm (3.7") x 10mm (0.4") - ONE PLATE
Product Weight	1.8Kg (3.9lb)
Maximum Horizontal Offset	167.5mm (6.6")
Package Contents	Mechanism
Marine Suitable	Yes (Indoors)

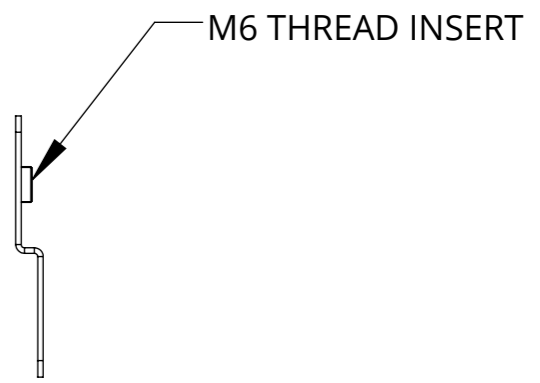
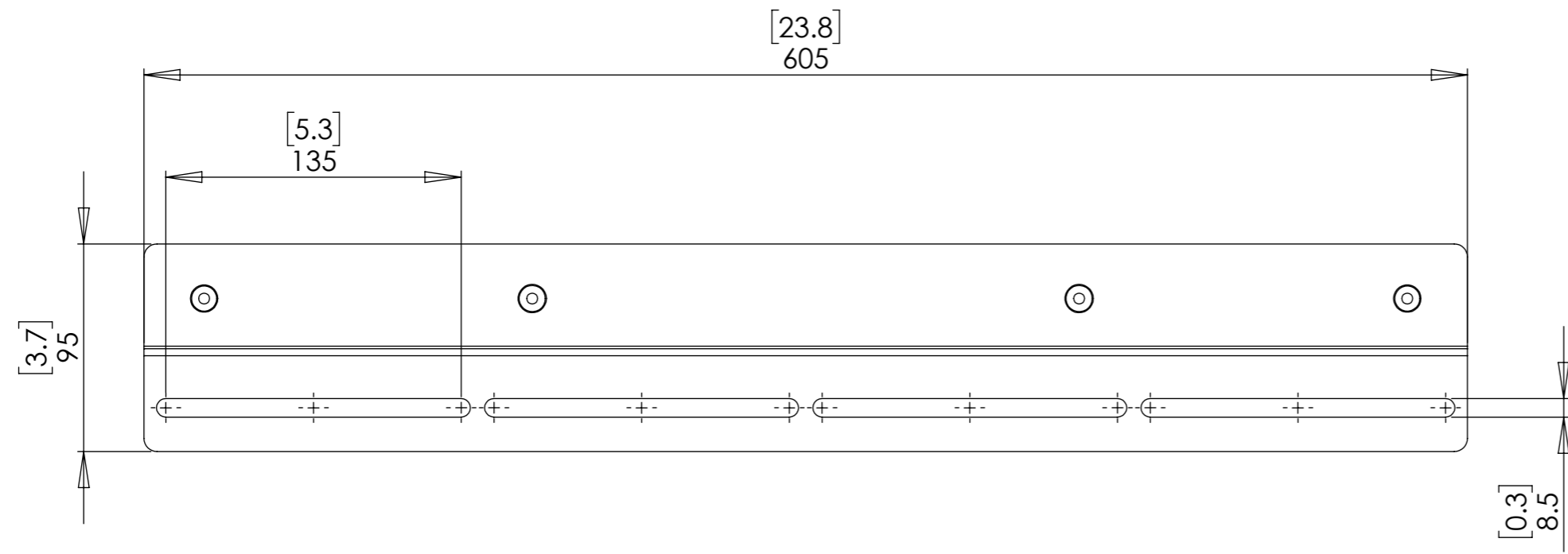
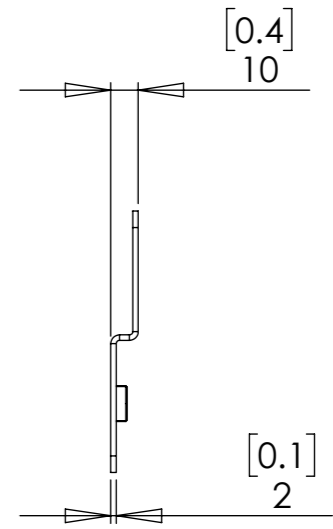
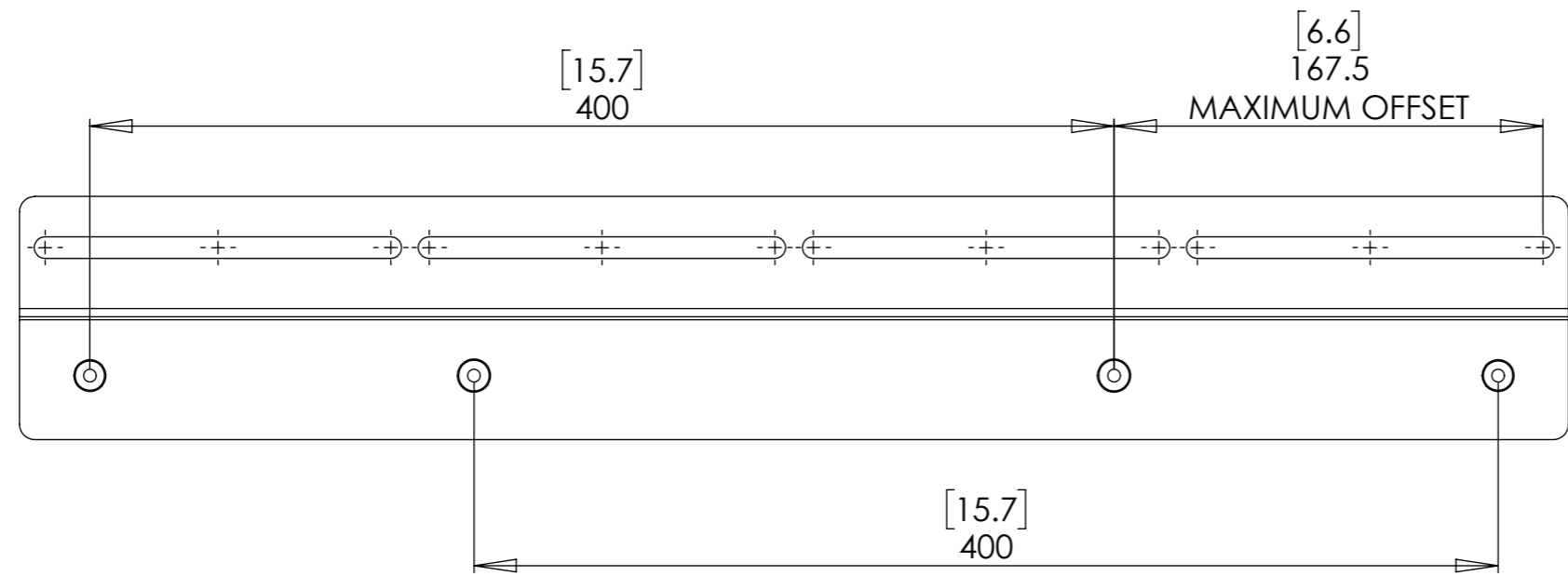
HOA

HORIZONTAL OFFSET ADAPTER



future automation

DIMENSIONS



HOA

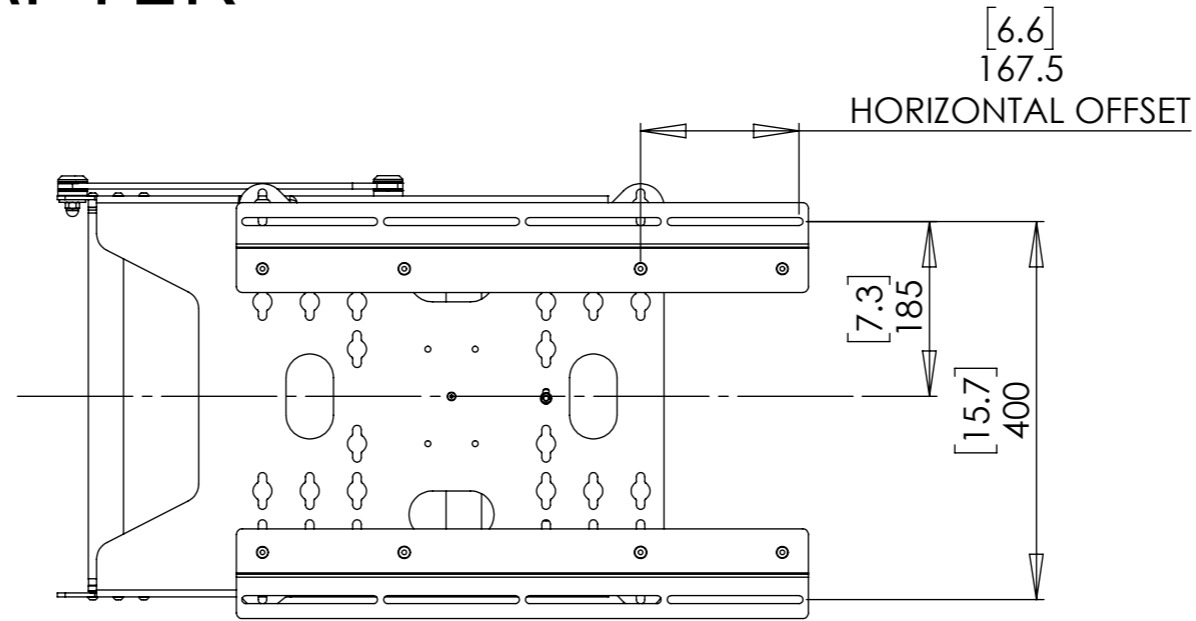
HORIZONTAL OFFSET ADAPTER



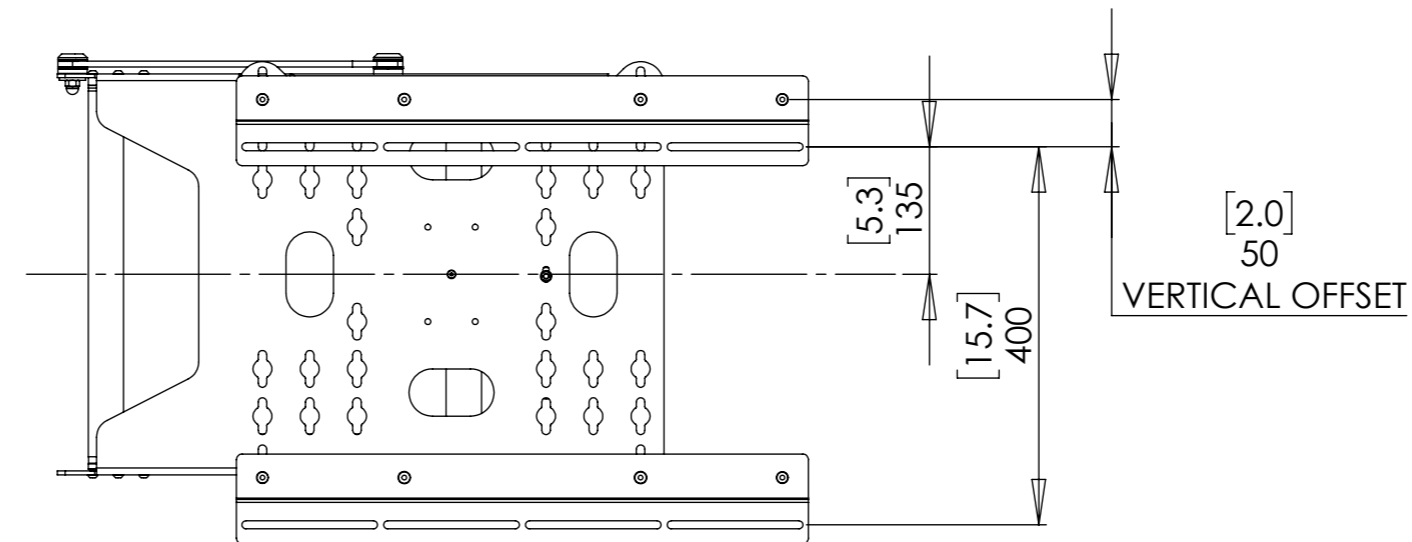
EXAMPLE CONFIGURATIONS

Examples below show how the Horizontal Offset Adaptor Kit can be used to achieve different offset configurations. VESA 400 pattern shown for reference.

HORIZONTAL OFFSET ONLY



HORIZONTAL AND VERTICAL OFFSET BIASED DOWNWARDS



HORIZONTAL AND VERTICAL OFFSET BIASED UPWARDS

