

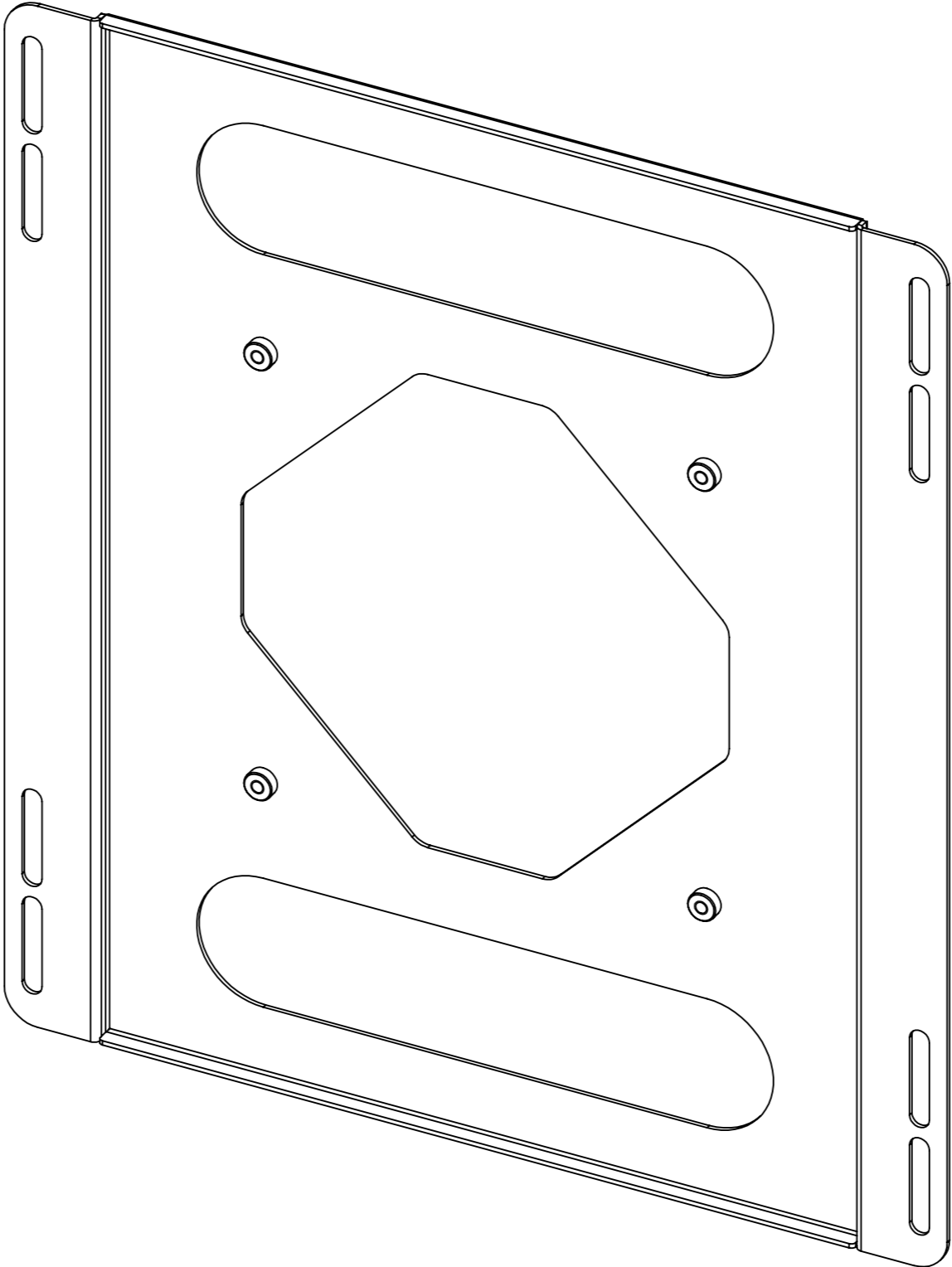


DESIGN HIGHLIGHTS

- Rigid Steel Construction
- Wide range of mounting options

OPTIONS

- Any RAL colour available



FUNCTION

A rigid steel adapter plate designed to expand the mounting capabilities of products with standard VESA mounting.

SUITABILITY

Allows fitting of screens with VESA 400 x 400 mounting

Maximum screen fixing bolt size M8.

Supplied with 4X M6x12mm bolts for easy fitting to other Future Automation product.

SPECIFYING

Check screen details for mounting possibilities.

Adapter plate adds 10mm [0.4"] to effective screen thickness.

WARNING

It is the responsibility of the installer to warn all potential end users of the dangers of interfering with mechanisms during operation

IMPORTANT

Mechanisms which lift or move weights need to be checked on a yearly basis for any damage which may result in an accident

AP V400 - Dimensions

