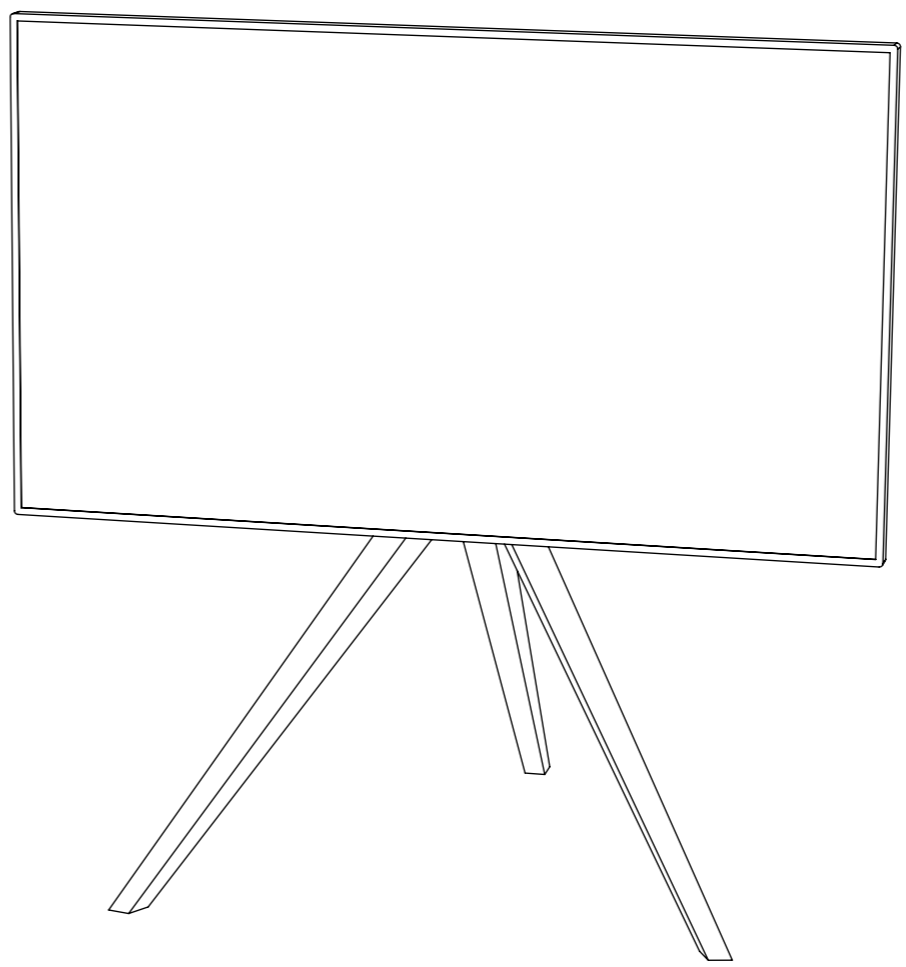
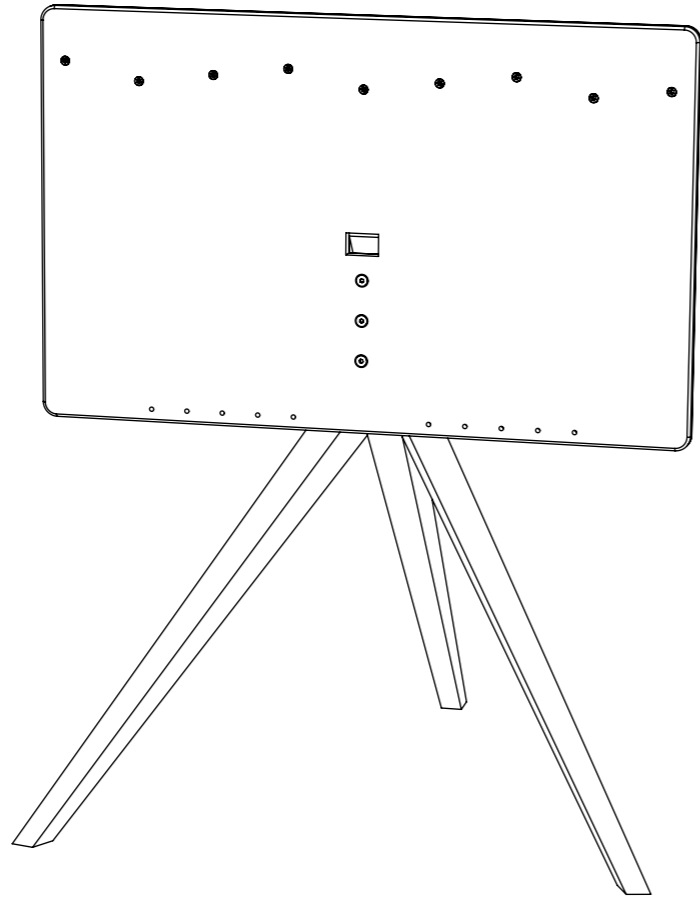


# EASEL

## SOLID WOOD TV STAND



# EASEL

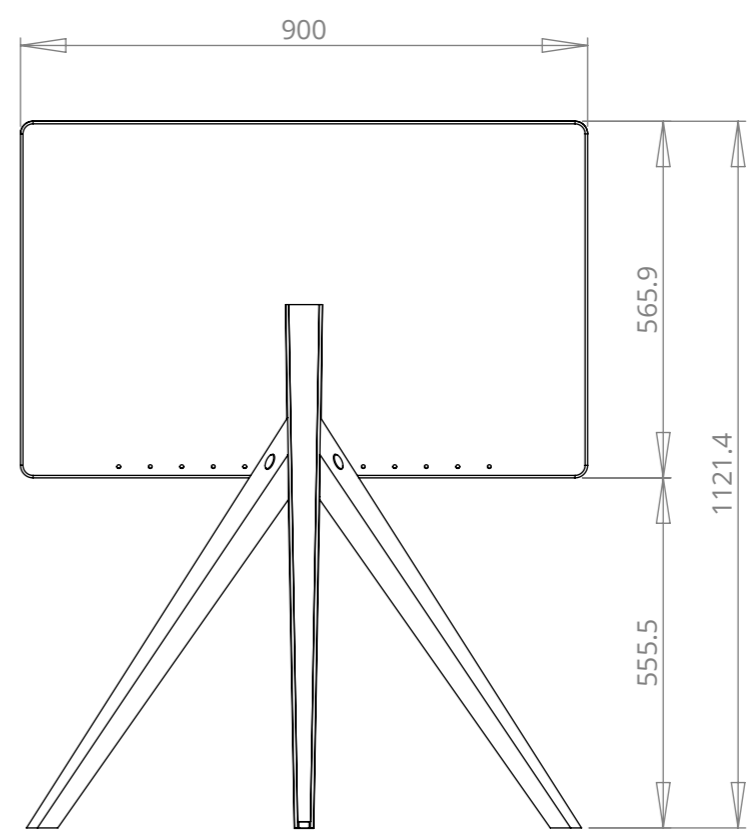
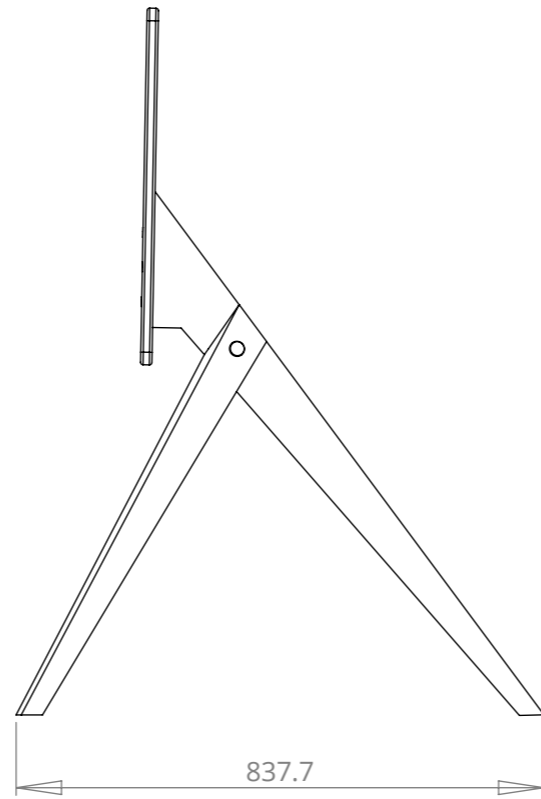
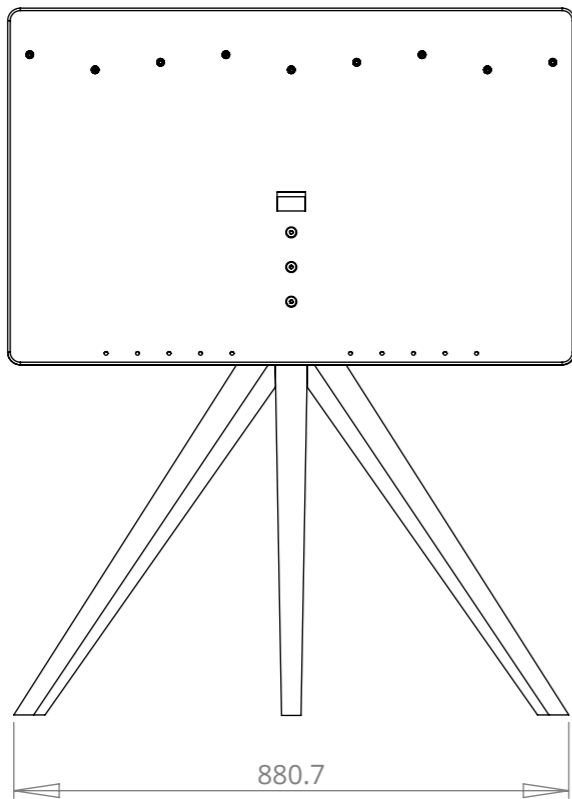
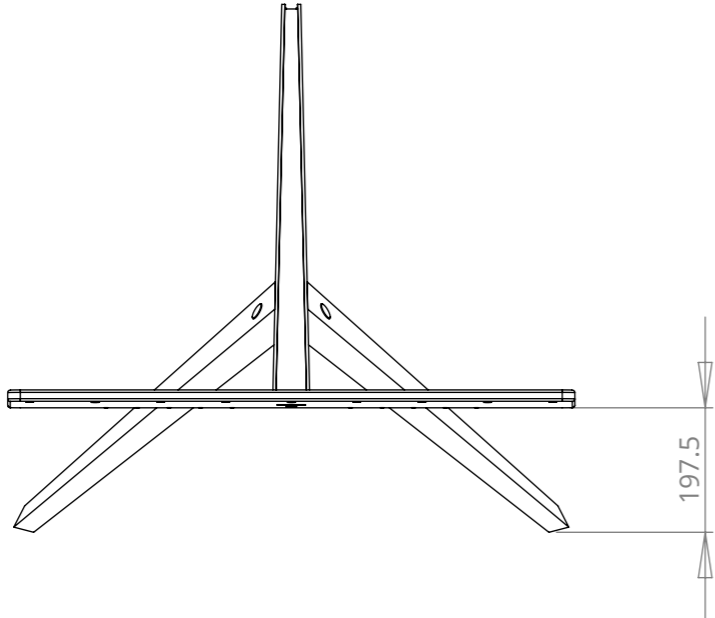
## SOLID WOOD TV STAND



SPECIFICATION	MEASUREMENTS
Product Dimensions (W*H*D)	900mm (35.4") x 1100mm (43.3") x 838mm (32.9")
Maximum Screen Size	65"
Maximum Weight Capacity	30kg
Product Weight	Tbc.
Packaging Dimensions	Tbc.
Shipping Weight	Tbc.
Package Contents	Solid wood legs, Screen plate, Assembly pack.
Corresponding mechanism	FB49
Mounting Patterns Supported	VESA 600, 500, 400, 300, 200 W x 600, 500, 400, 300, 200 H
Product Customisation Options	Material, Custom bracket for screens larger than 65".
Marine Suitable	No

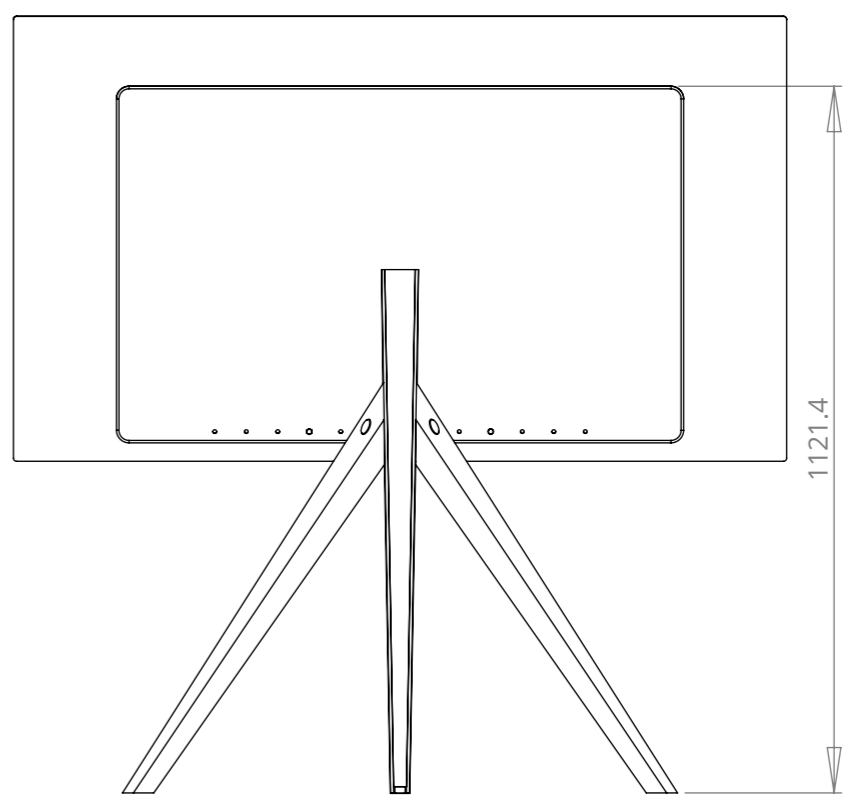
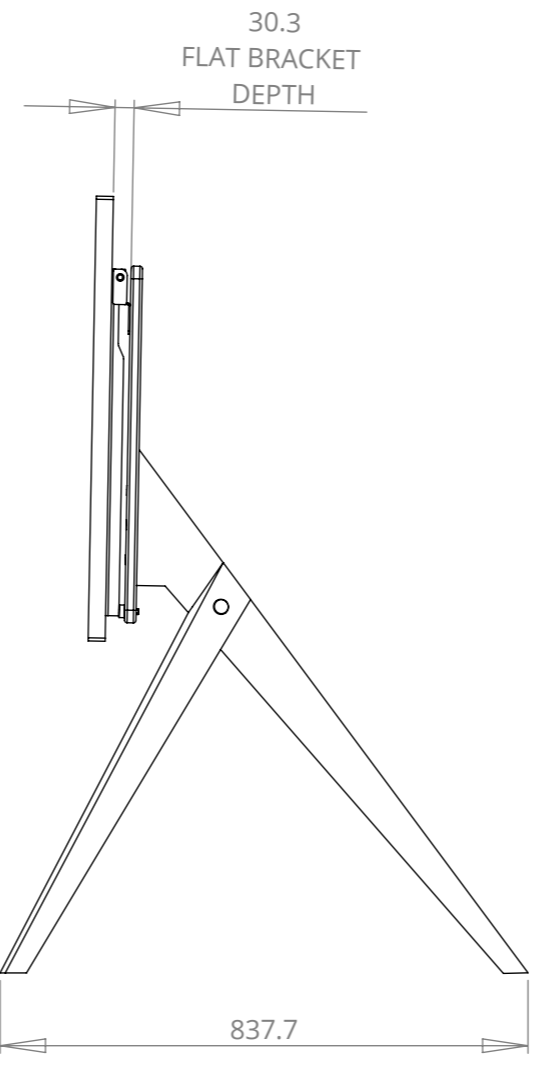
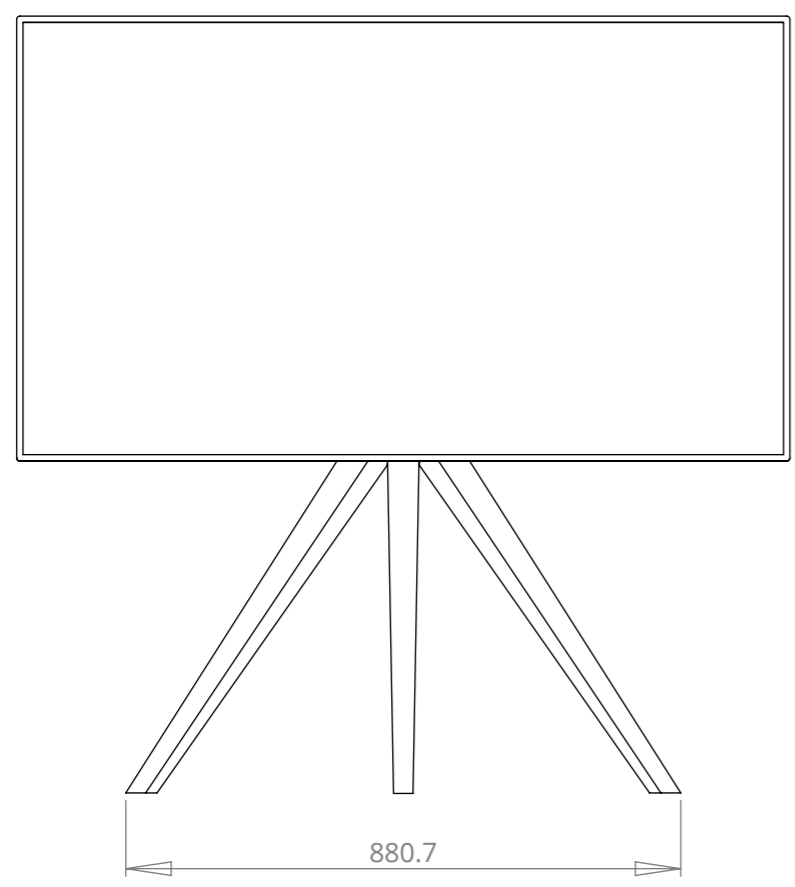
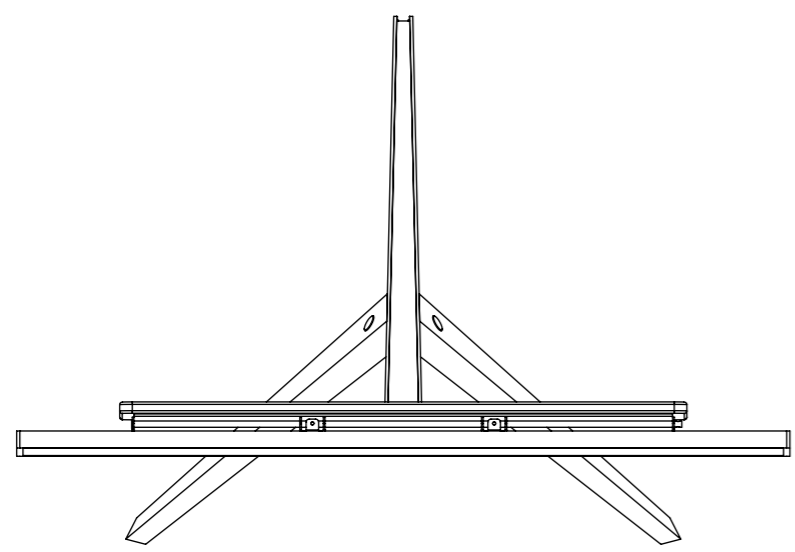
# EASEL

## SOLID WOOD TV STAND



# EASEL

## SOLID WOOD TV STAND



# EASEL

## SOLID WOOD TV STAND

WALNUT OPTION



OAK OPTION

