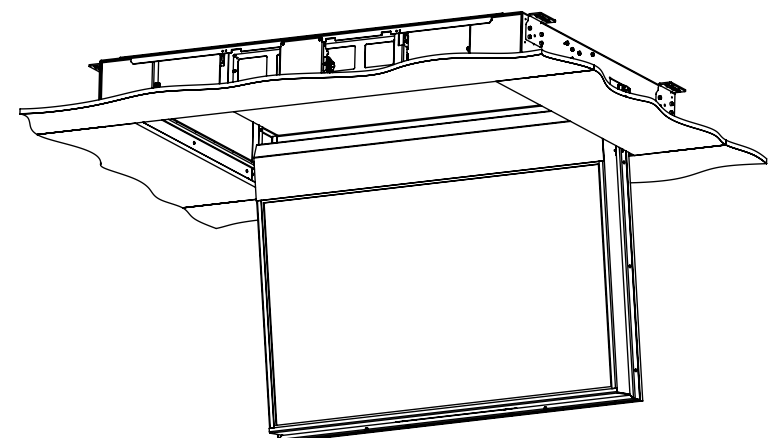
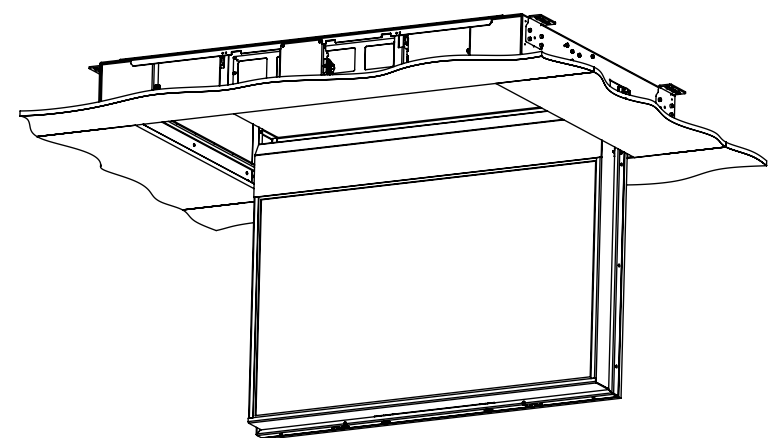
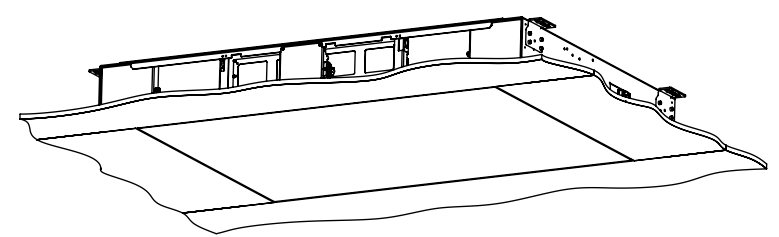
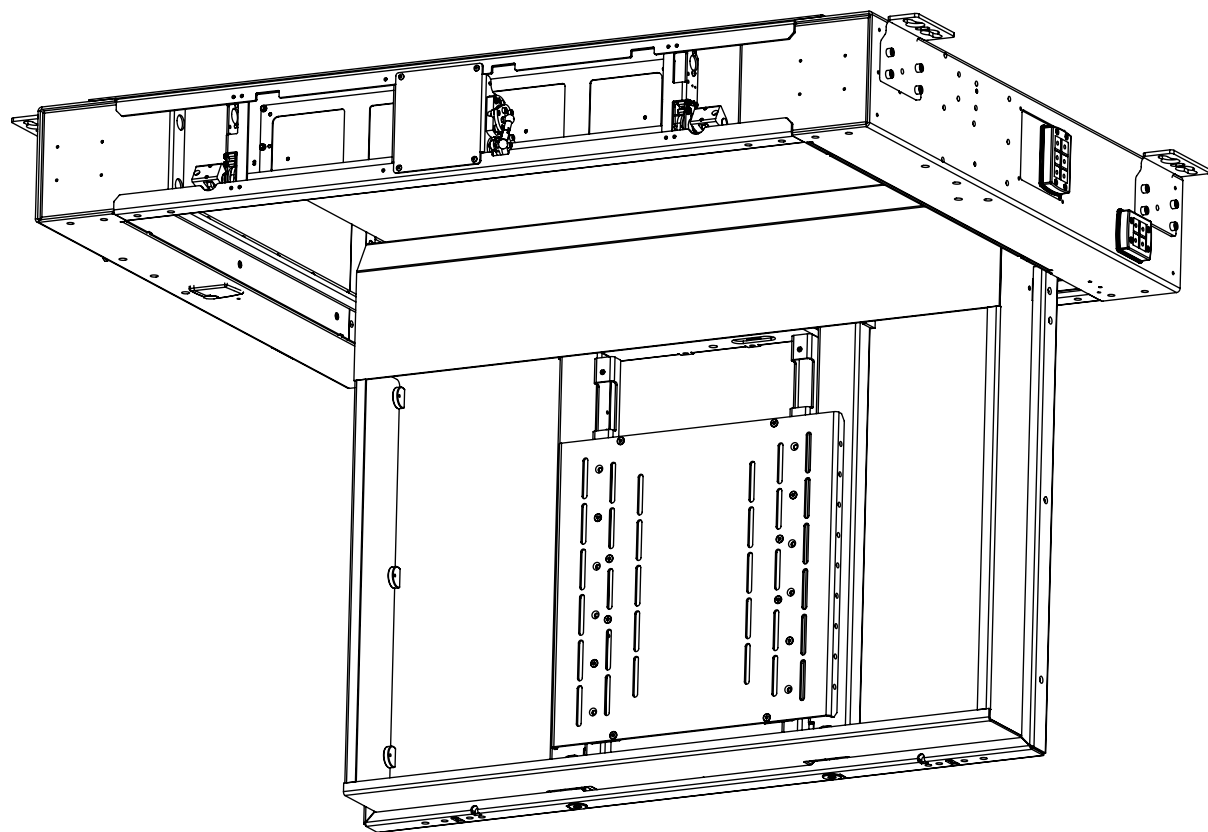


# CHR4-MO

## MARINE OUTDOOR CEILING HINGE RANGE



future automation



MECHANISM AS SUPPLIED

# CHR4-MO

## MARINE OUTDOOR CEILING HINGE RANGE



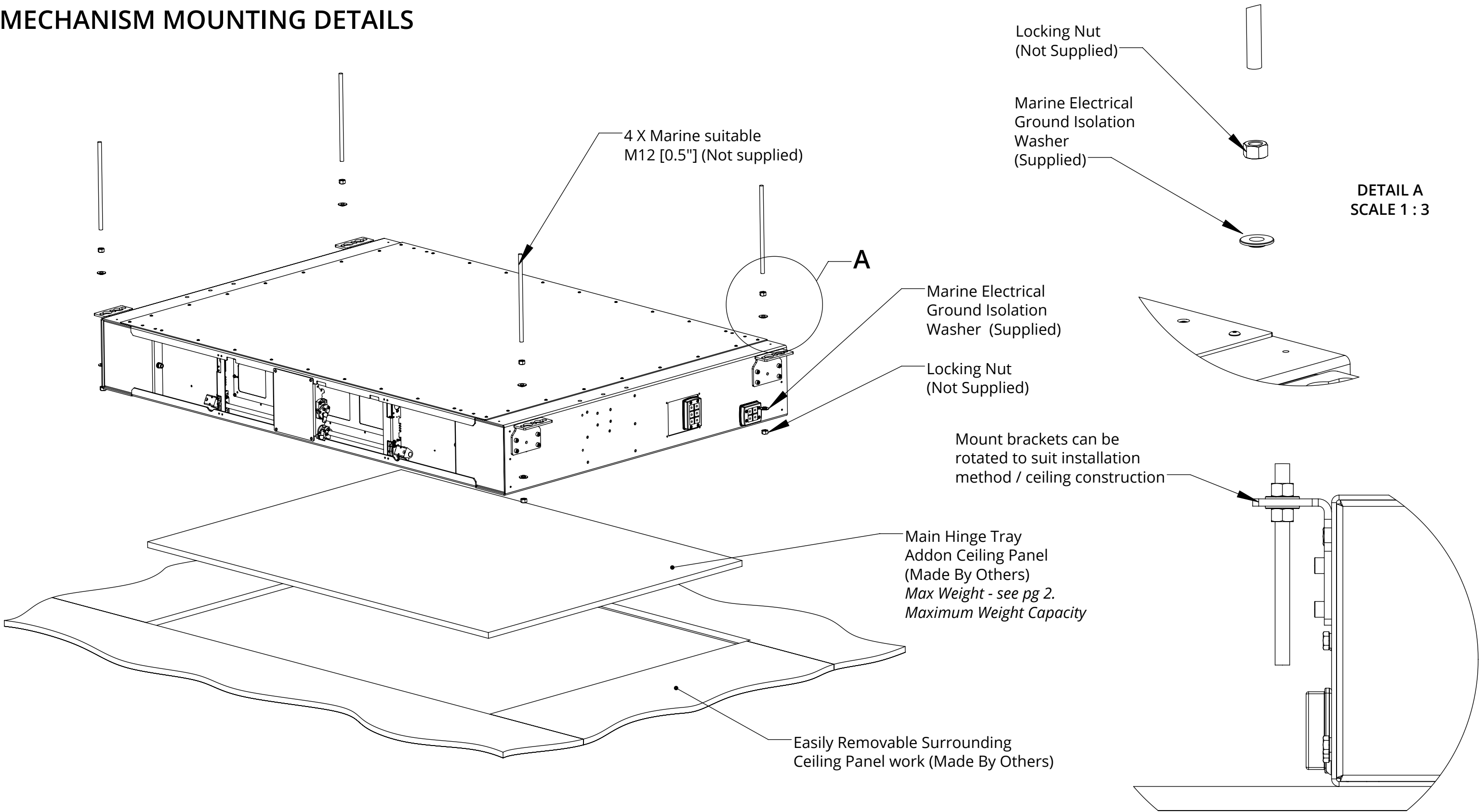
future automation

SPECIFICATION	MEASUREMENTS
Product Dimensions	1624mm (64.0") W x 1081mm (42.6") L x 195mm (7.7") D
Product Weight	100Kg (220lb)
Maximum Screen Size	1130mm (44.5") W x 680mm (26.8") L x 100mm (3.9") D
Maximum Weight Capacity	60Kg (264lb) Inc 10kg [22lbs] max. Addon Ceiling Panel Main Hinge
Packaging Dimensions	1670mm (65.7") W x 1240mm (48.8") L x 440mm (17.3") D
Shipping Weight	190Kg (418lb)
Maximum Rotation	100° - programmable limit to 90°
Movement Type	Motorised
Control System	In IP66 Control box on 3m [10'] Loom
Power Supply Required	110V - 240V AC 50/60Hz
Power Consumption Max.	720W
Power Consumption Standby	3W
Mounting Patterns Supported	VESA 400, 300, 200 W x 400, 300, 200 H
Control Options	IR Remote, RS232, Contact Closure
Product Options / Features	Specific B&O and Loewe mounts / adapters, Custom RAL paint finishes, Marine suitable version
Package Contents	Mechanism, IR remote control
Environment	Marine Outdoor
Colour	WHITE - RAL9910 Satin Finish
Marine Suitable	Yes - Marine Locks for secure stowing when not in use - Weatherproof when closed due to Marine Seals .

# CHR4-MO

## MARINE OUTDOOR CEILING HINGE RANGE

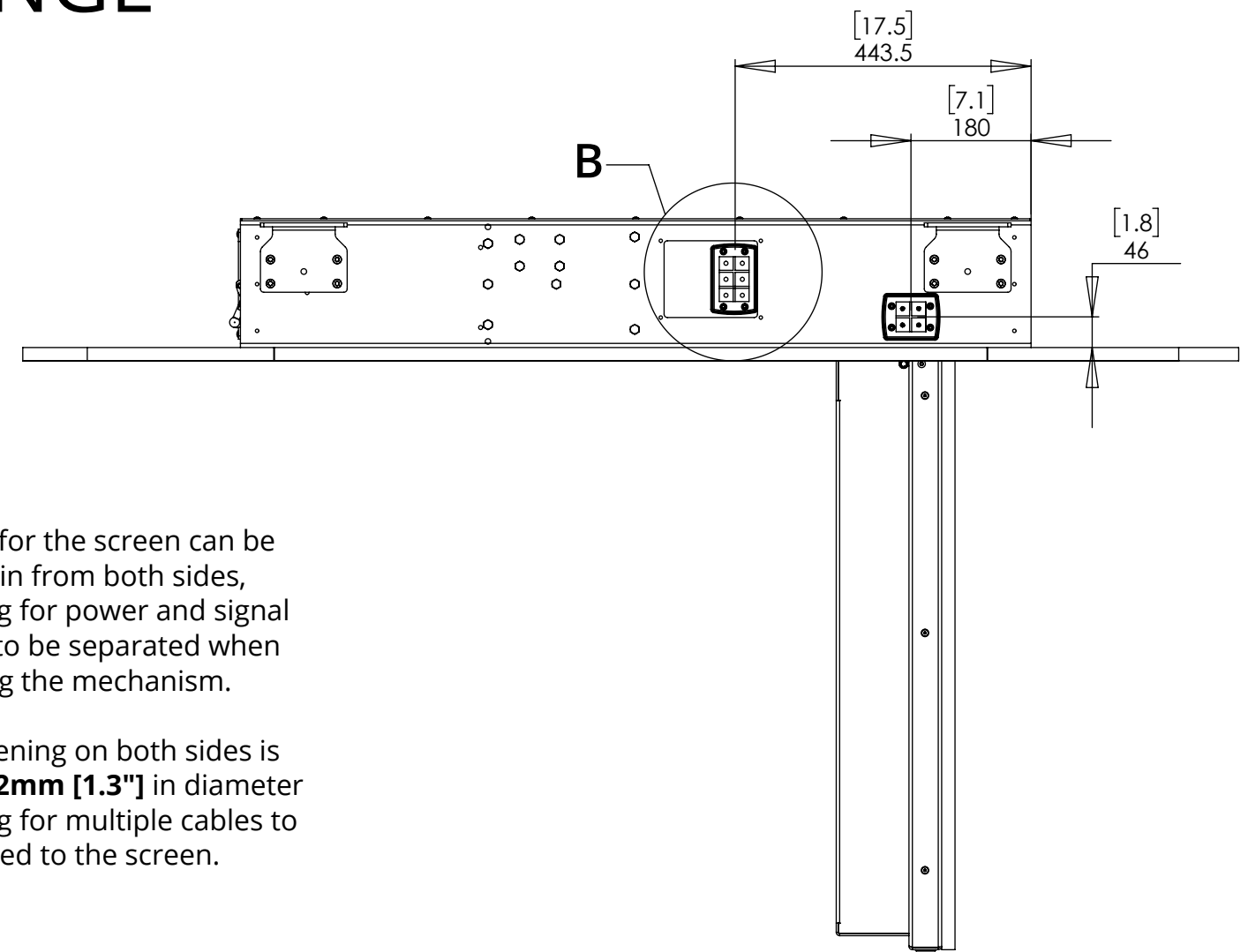
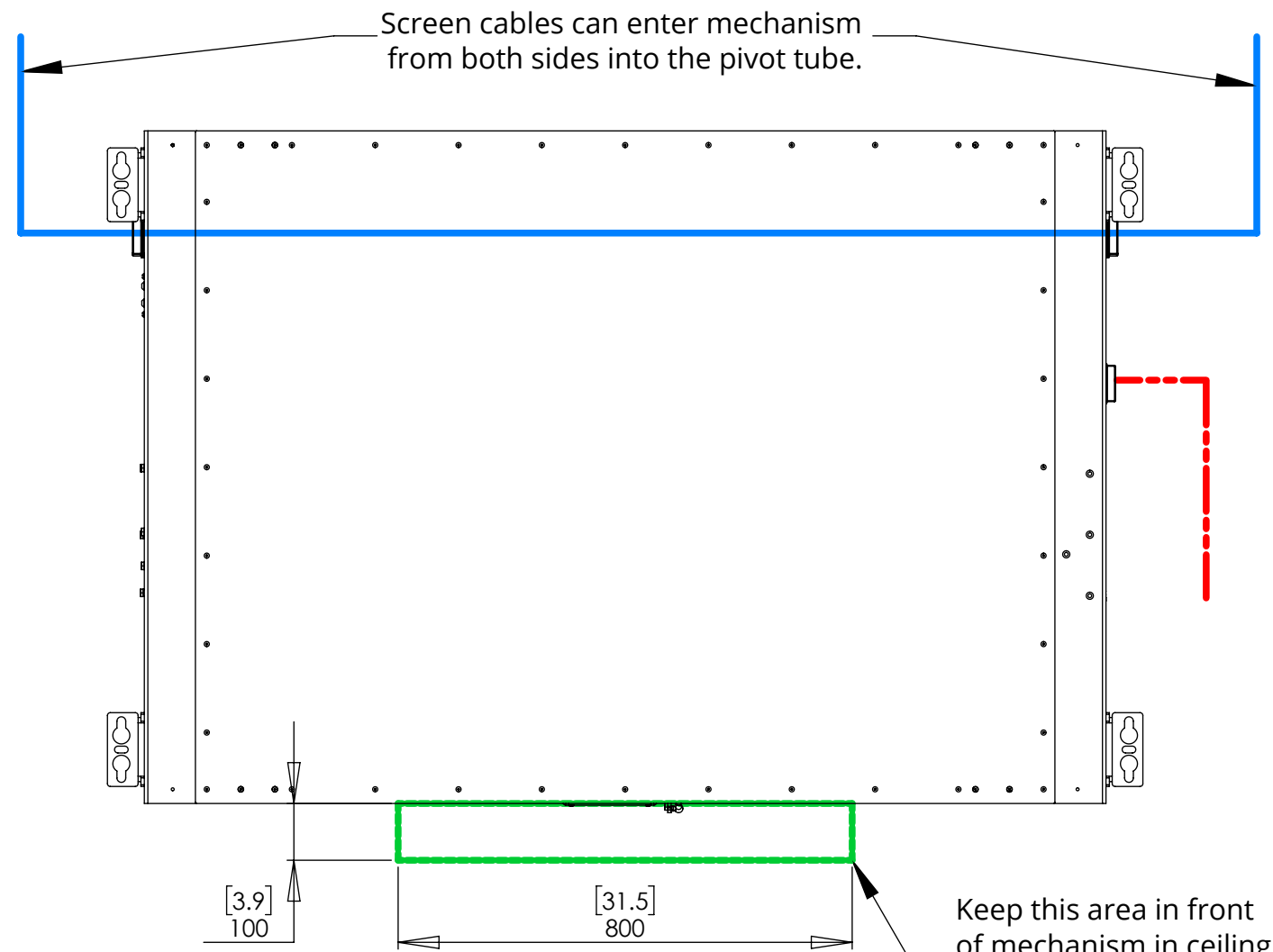
### MECHANISM MOUNTING DETAILS



# CHR4-MO

## MARINE OUTDOOR CEILING HINGE RANGE

### CEILING PREPARATION

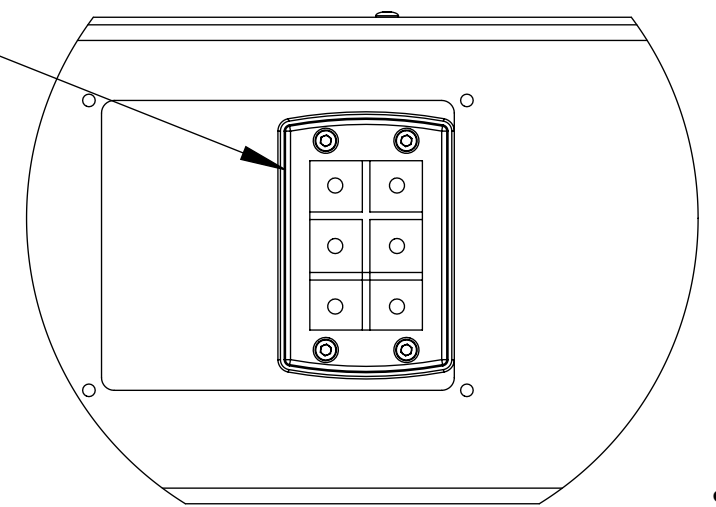


Cables for the screen can be routed in from both sides, allowing for power and signal cables to be separated when entering the mechanism.

The opening on both sides is **MIN. 32mm [1.3"]** in diameter allowing for multiple cables to be routed to the screen.

Cables pass through easily removable cable gland plates into mechanism.

Additional glands to suit different cable sizes are available on request.



DETAIL B  
SCALE 1 : 3

- Mechanism Power and Control Cables.
- Screen power and Signal

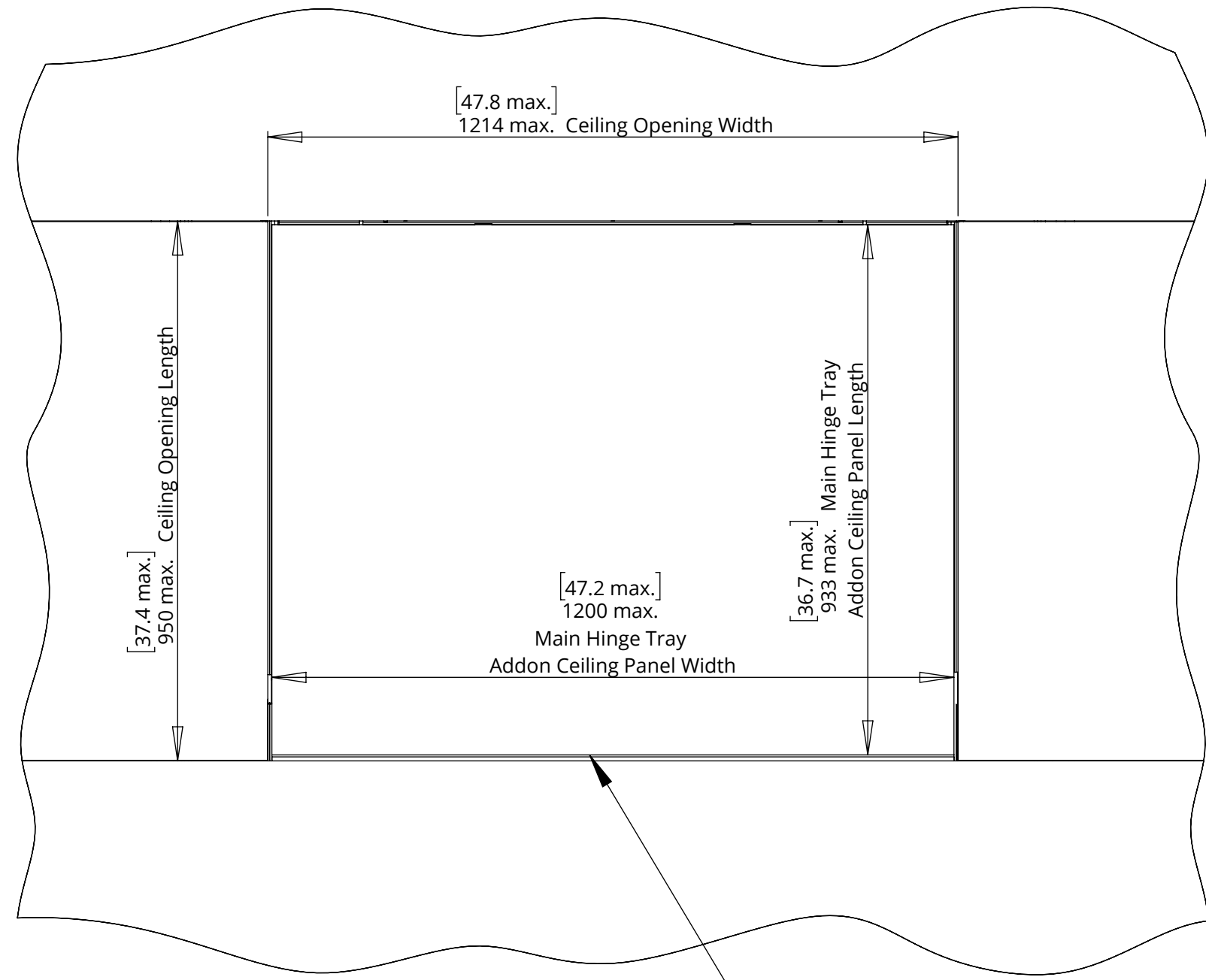
# CHR4-MO

## MARINE OUTDOOR CEILING HINGE RANGE

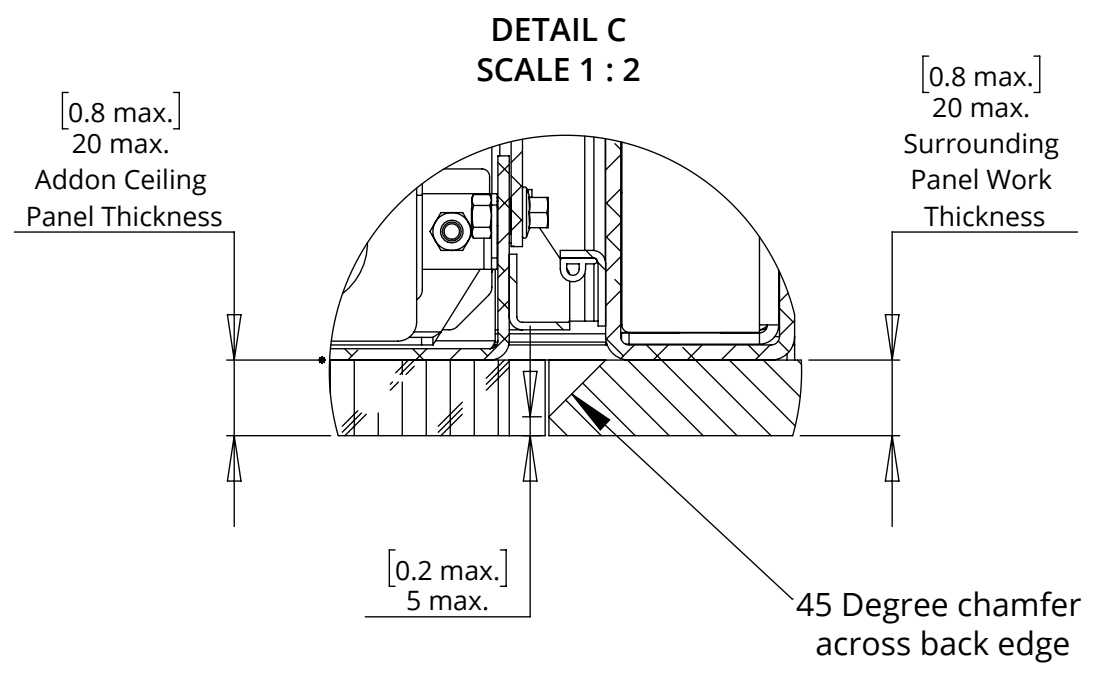
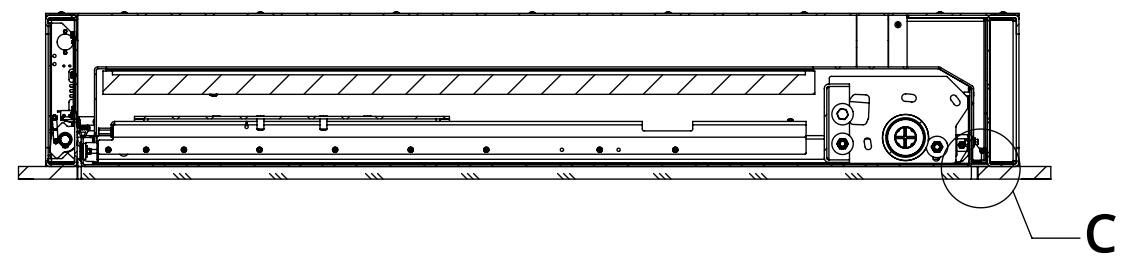
### CEILING DETAILS



future automation



Mechanism designed to work with min. 7mm [0.3"] shadow gaps



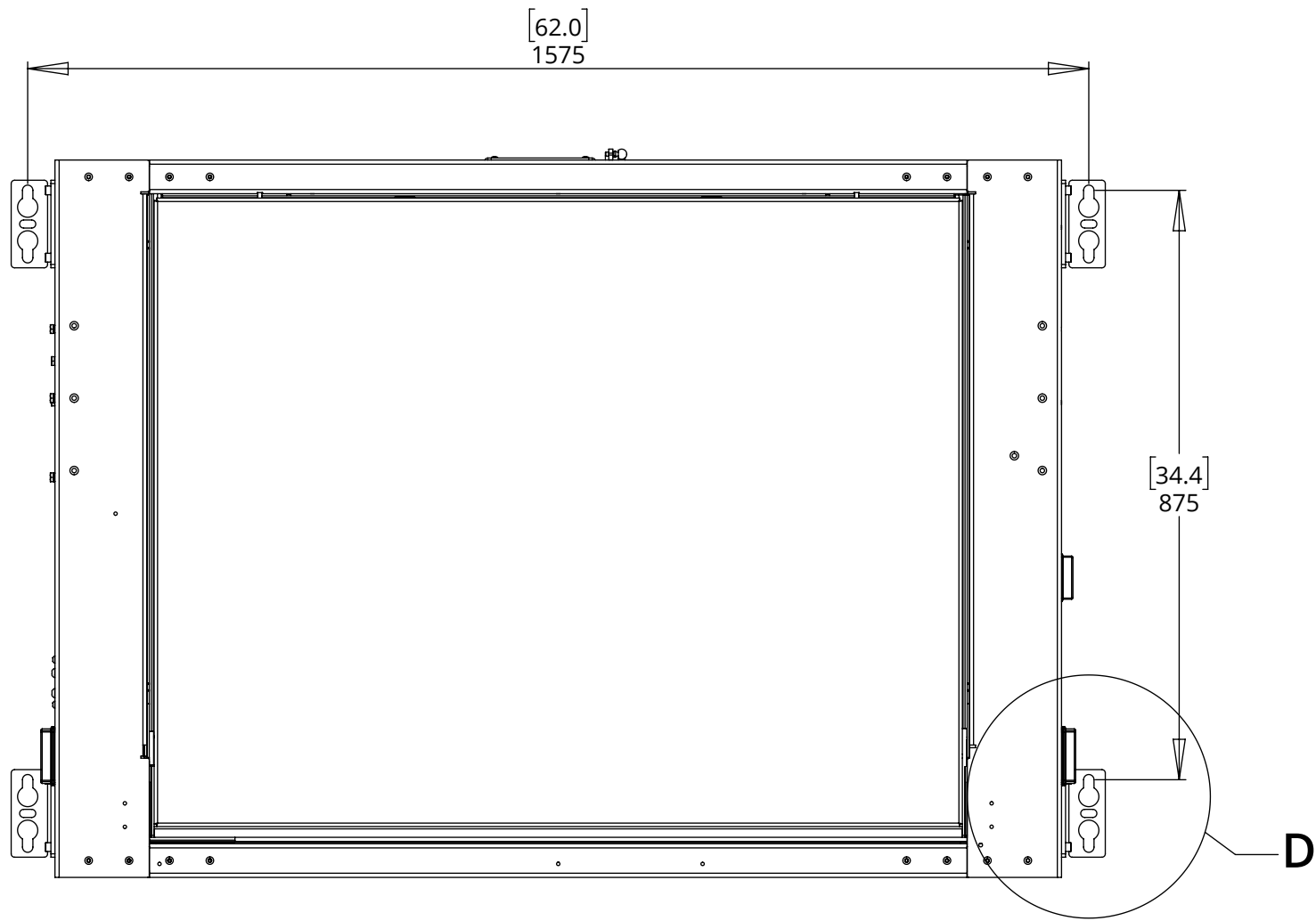
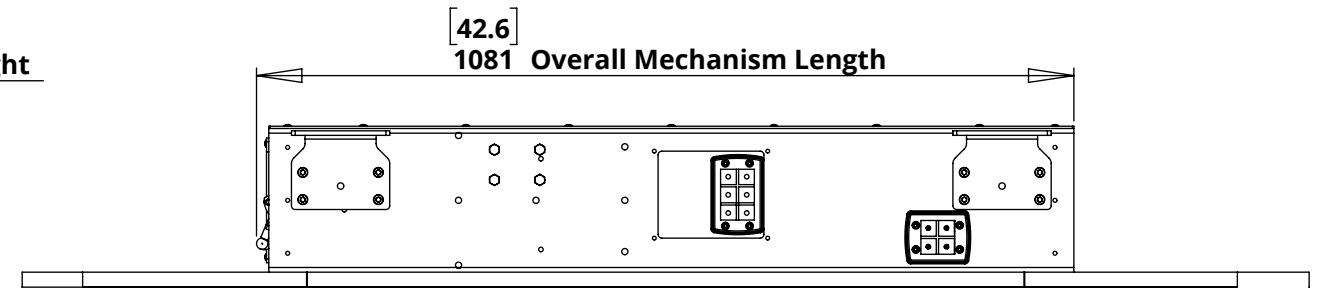
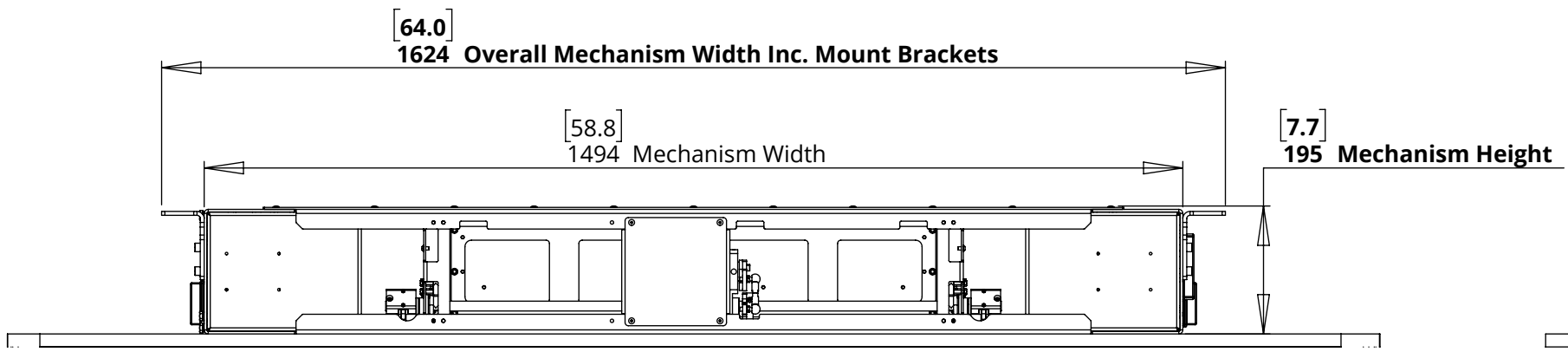
**Ensure all panel work is the same thickness.**

**Weight of all addon panel work must be included in maximum mechanism lifting capacity.**

# CHR4-MO

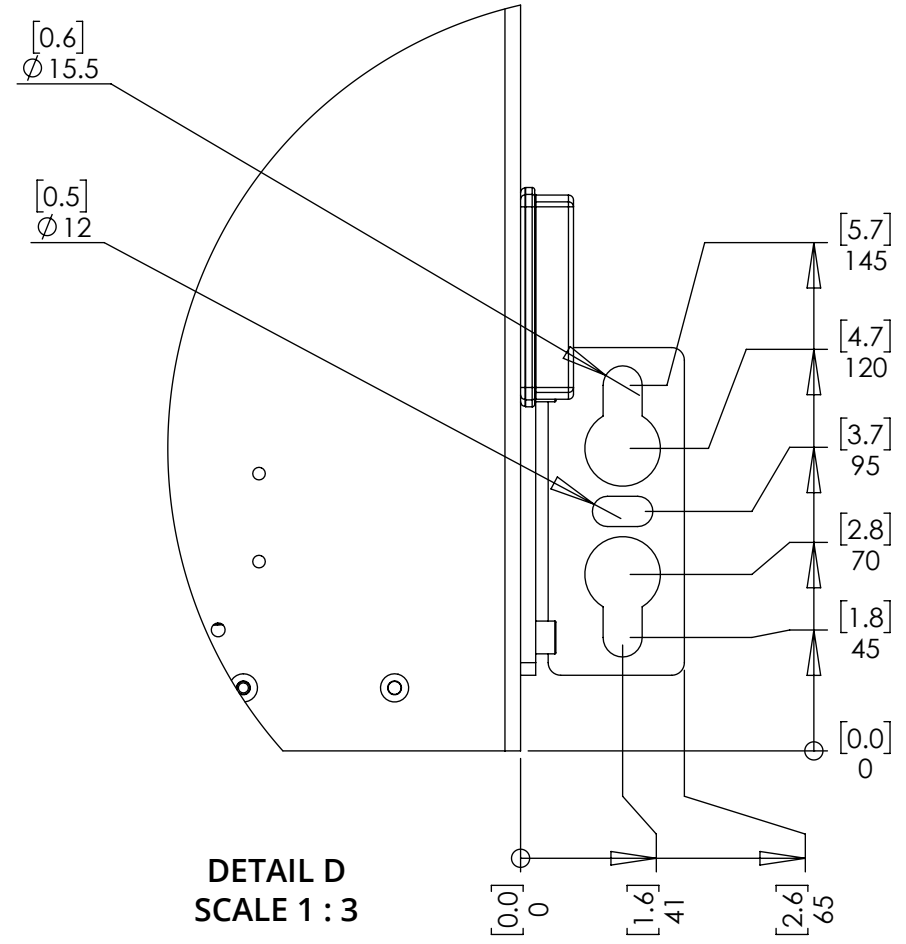
## MARINE OUTDOOR CEILING HINGE RANGE

### MECHANISM DIMENSIONS - CLOSED



#### FIXING DETAIL

Mechanism mounted on M12 [0.5] Studding or fixed to underside of the ceiling joist structure, both using the mounting brackets installed on mechanism as standard

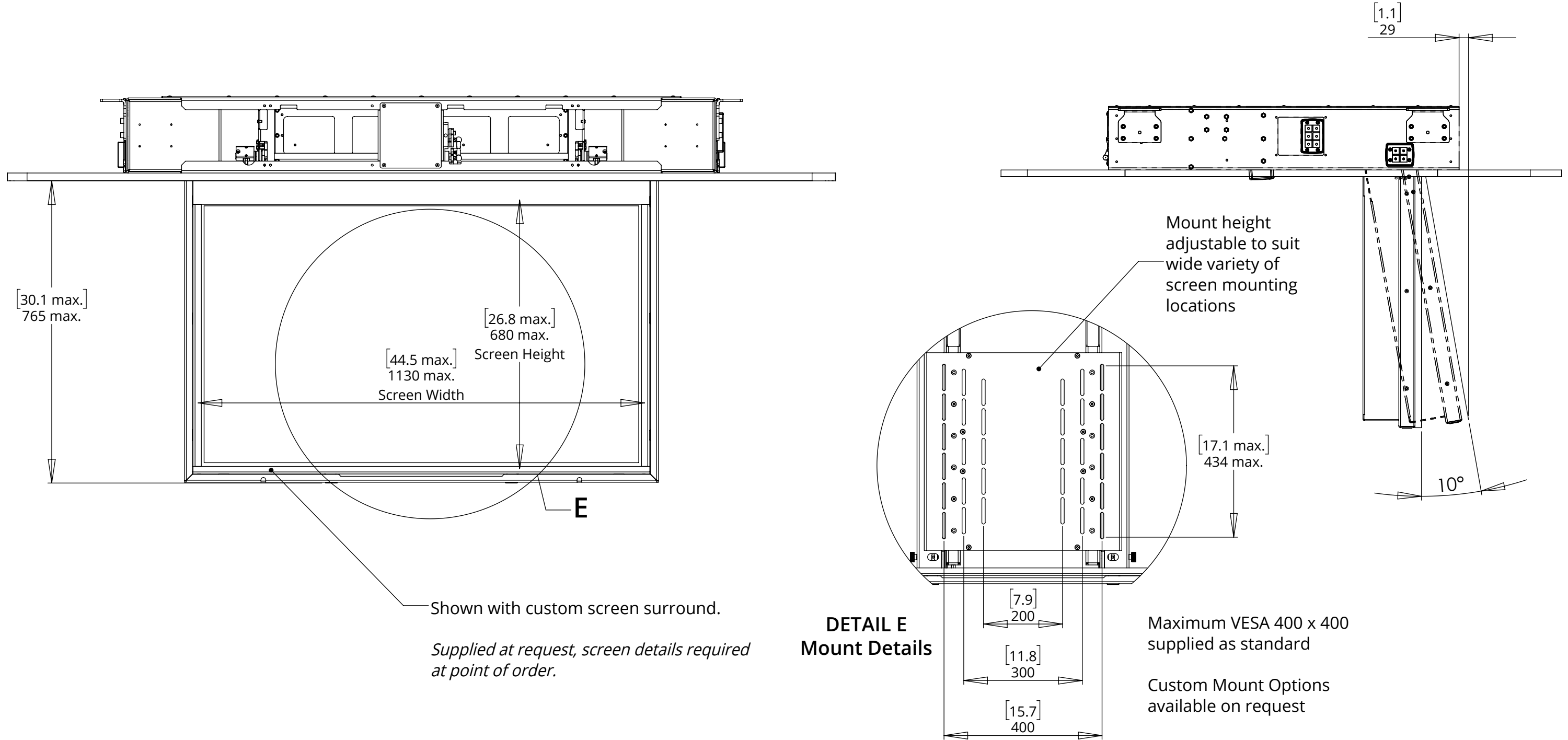


DETAIL D  
SCALE 1 : 3

# CHR4-MO

## MARINE OUTDOOR CEILING HINGE RANGE

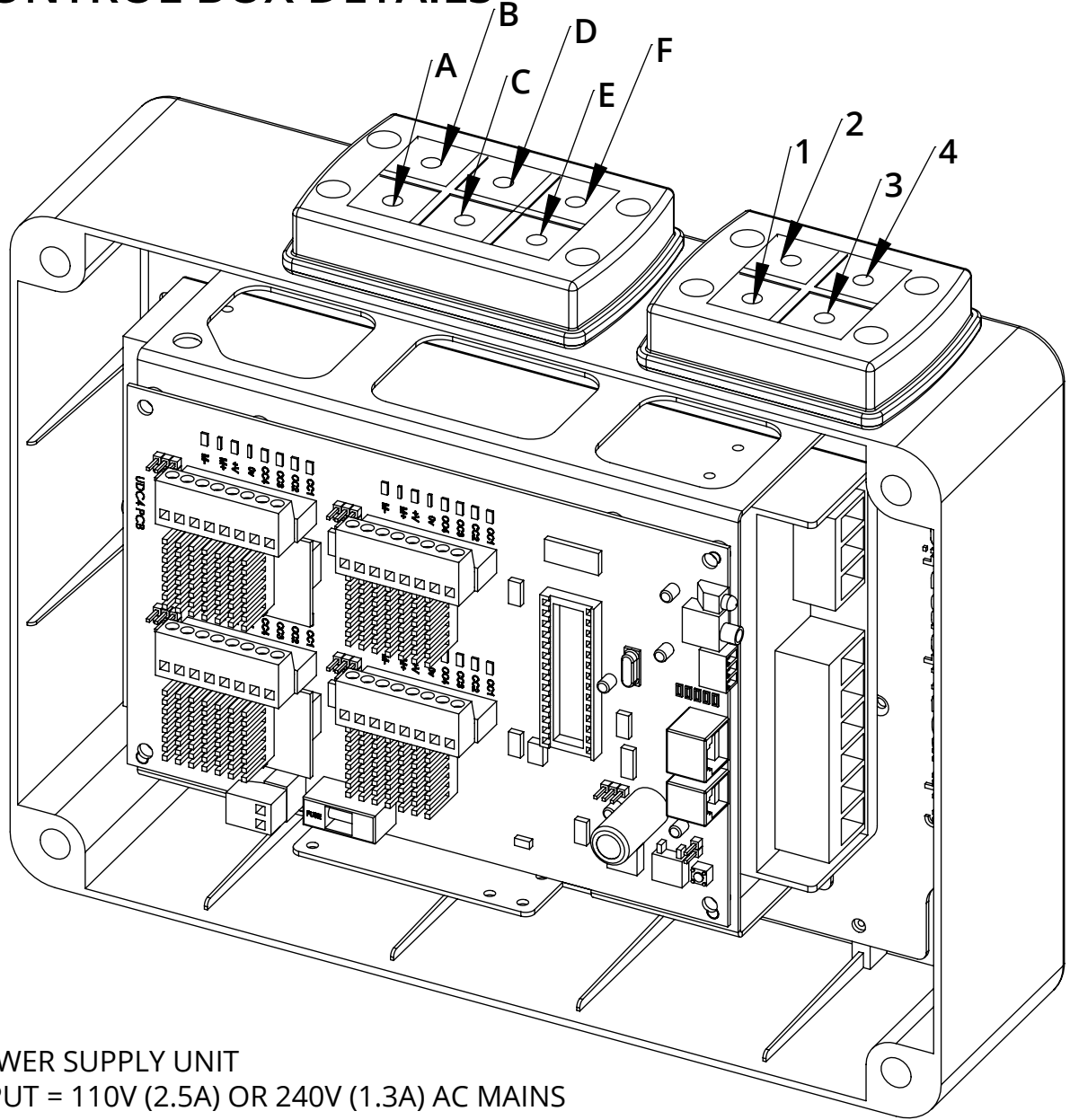
### MECHANISM DIMENSIONS - OPEN



# CHR-MO CONTROL

## MARINE OUTDOOR CEILING HINGE RANGE

### CONTROL BOX DETAILS



IP66 Multicable Glands.

Supplied with standard set of glands to suit mechanism control cables.

- |    |   |  |
|----|---|--|
| A. | Hinge Motor A                             | - (2 x 1 core) - 3.42mm [0.13"] dia. (EU SPEC: 2.12mm <sup>2</sup> US SPEC:14AWG)  |
| B. | Hinge Motor A Signal + IN / OUT SW        | - (1 x 8 core) 5.6mm [0.22"] dia. (EU SPEC: 0.22mm <sup>2</sup> US SPEC: 24AWG)    |
| C. | Marine Catch Power                        | - (2 x 1 core) - 3.42mm [0.13"] dia. (EU SPEC: 2.12mm <sup>2</sup> US SPEC: 14AWG) |
| D. | Marine Catch Switches                     | - (1 x 3 core) - 3.6mm [0.14"] dia. (EU SPEC: 0.22mm <sup>2</sup> US SPEC: 24AWG)  |
| E. | Blank                                     |  |
| F. | Blank                                     |  |
| 1. | Control Board Power - 3 Core Mains        | 6mm [0.25"] dia. (EU SPEC: 0.75mm <sup>2</sup> US SPEC: 18AWG)                     |
| 2. | Cat 5e 8 core - RS232 interface           | 5mm [0.2"] dia.(EU SPEC: 0.2mm <sup>2</sup> US SPEC: 24AWG)                        |
| 3. | Cat 5e 8 core - Contact Closure interface | 5mm [0.2"] dia.(EU SPEC: 0.2mm <sup>2</sup> US SPEC: 24AWG)                        |
| 4. | FA IR Receiver Cable                      | 3mm [0.12"] dia.(EU SPEC: 0.12mm <sup>2</sup> US SPEC: 25AWG)                      |

POWER SUPPLY UNIT  
 INPUT = 110V (2.5A) OR 240V (1.3A) AC MAINS  
 OUTPUT = 24V DC, 8A

### NOTES

- ENCLOSURE IS RATED TO IP56 / GLANDS ARE RATED TO IP66
- ENCLOSURE AND LID FIXINGS ALL MADE FROM GEWISS GW PLAST 75.
- ENCLOSURE MATERIAL SUITABLE FOR TEMPERATURES +60 C TO -25 C.
- POWER SUPPLY UNIT (PSU) WILL ALLOW 110V OR 240V AC INPUT. THE SAME PSU IS USED FOR EU OR US MAINS SUPPLIES.
- OTHER THAN CONTROL CABLES, ALL CABLES TERMINATE AT CONTROL BOARD VIA STANDARD PHOENIX CONNECTORS.
- CABLE LOOM LENGTH SUPPLIED AT APPROX. 3m [118"]. LOOM CAN BE EXTENDED UP TO MAXIMUM OF APPROX. 10m [400"].
- MINIMUM CABLE BEND RADIUS 25mm [1"].

