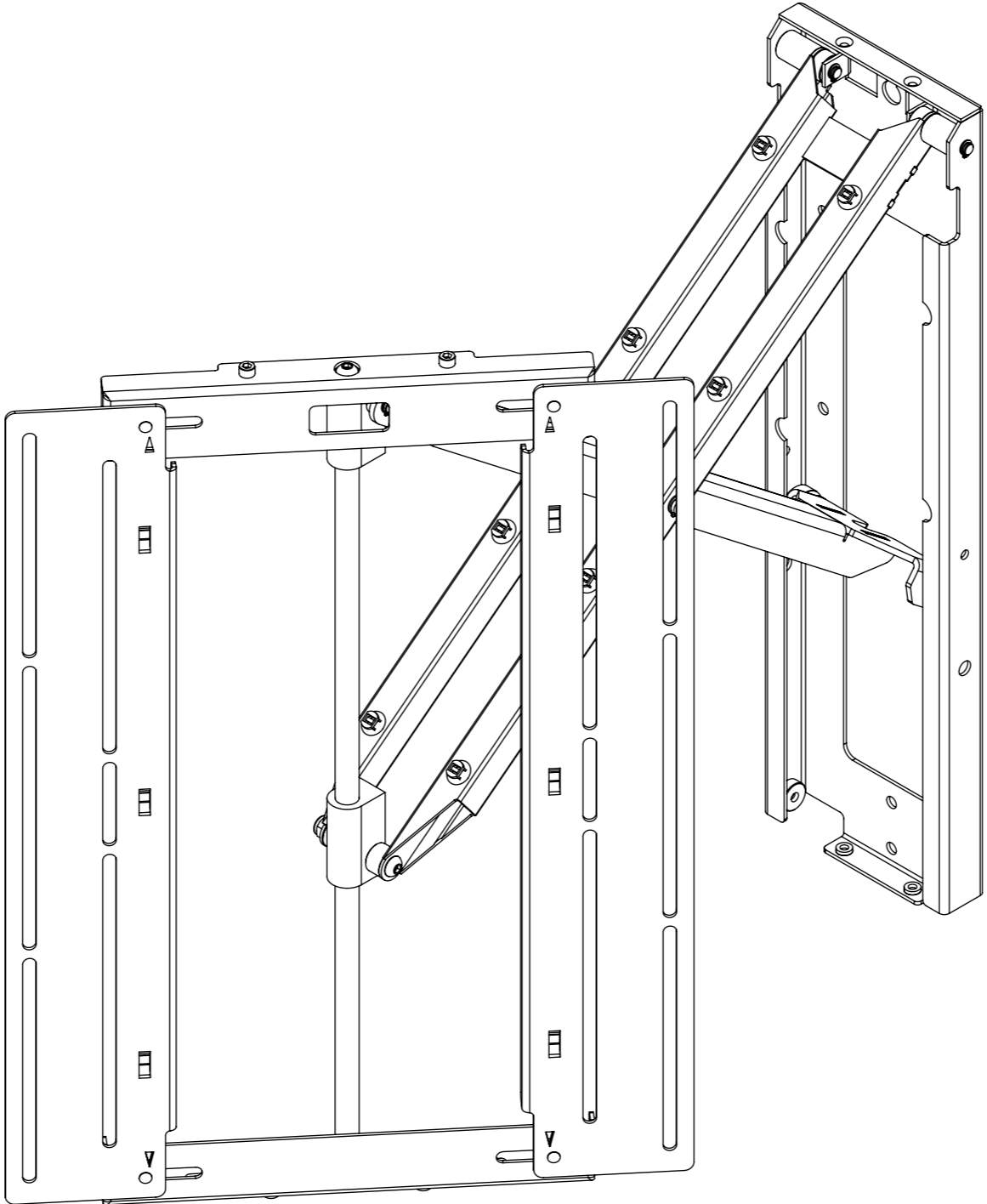


PS55

PULL & SWIVEL MANUAL WALL MOUNT



future automation



PS55

PULL & SWIVEL MANUAL WALL MOUNT



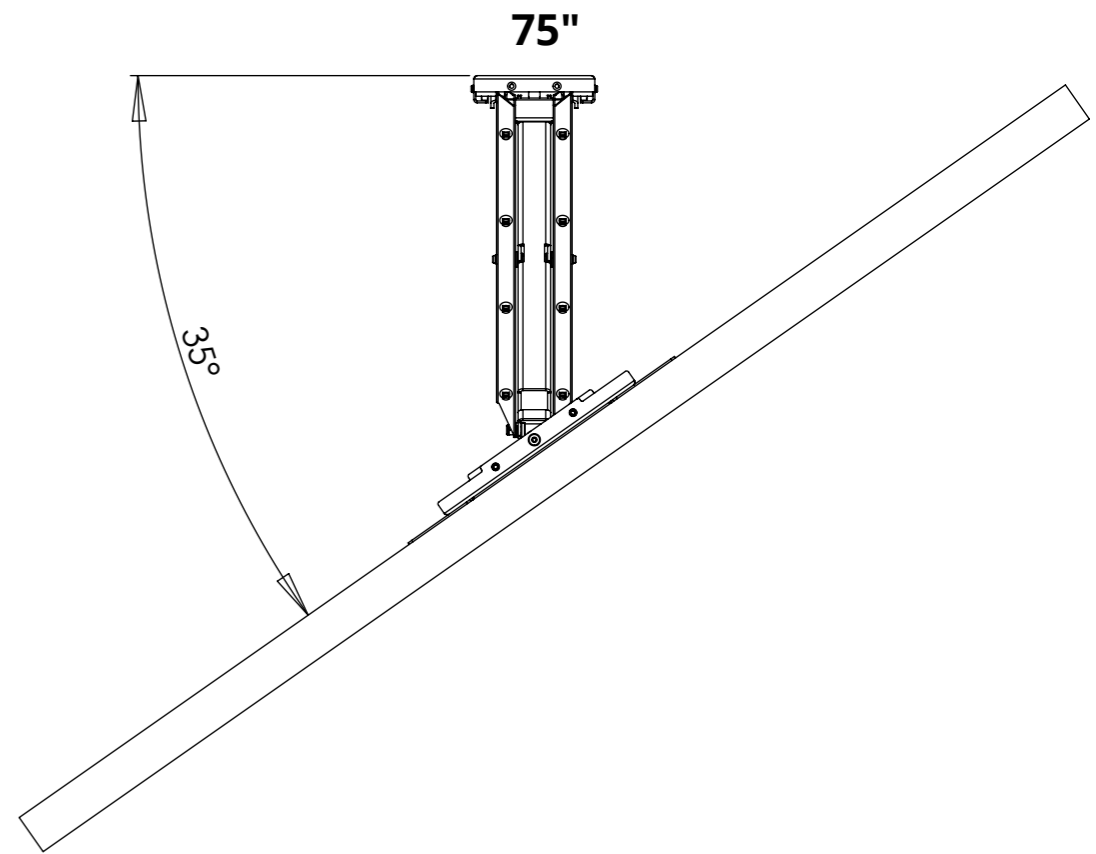
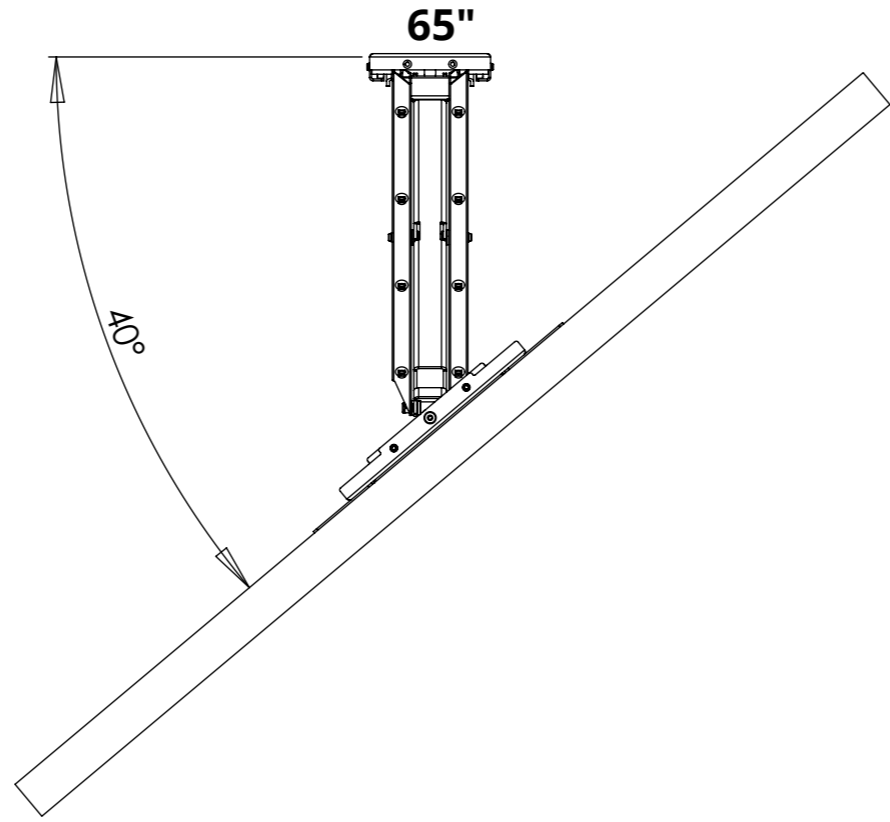
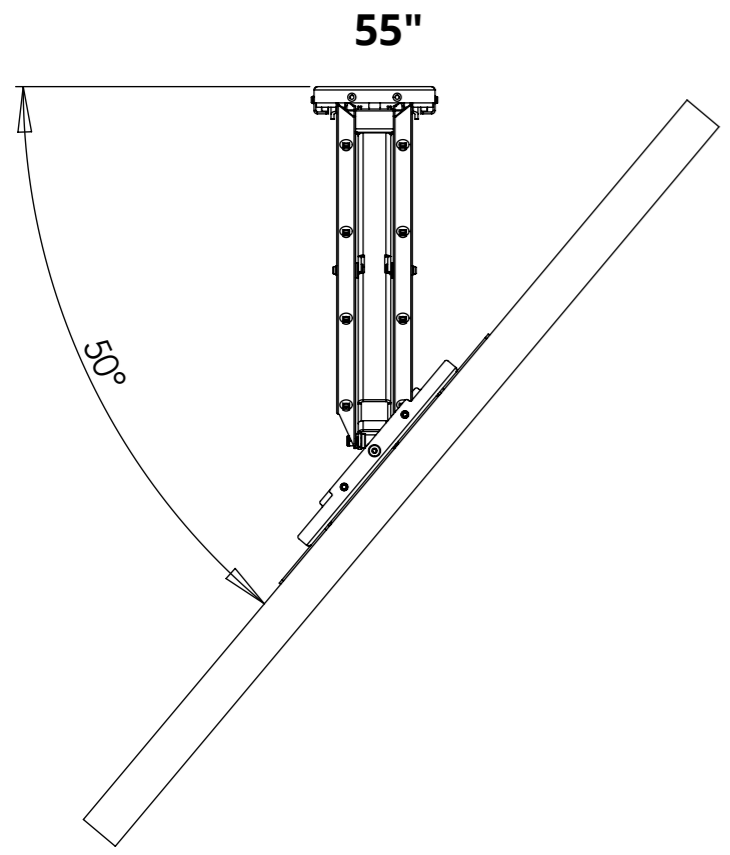
SPECIFICATION	MEASUREMENTS
Maximum Screen Size	55" - 75"
Maximum Weight Capacity	60Kg (132lb)
Maximum Extension From Wall	500mm (19.7") to screen centre
Depth From Wall	52mm (2")
Packaging Dimensions	335 x 635 x 70mm (13.18 x 25 x 2.75")
Shipping Weight	14Kg (31lb)
Maximum Rotation	50° - Bi-directional with 55" screen - 40° with 65" - 35° with 75"
Movement Type	Manual
Mounting Patterns Supported	VESA 400, 300, 200, 100 W x 500, 400, 300, 200, 100 H
Product Options / Features	Specific B&O and Loewe mounts / adapters, Custom RAL paint finishes, Wall Box Options
Package Contents	Mechanism, Bolt Pack
Marine Suitable	No

PS55 PULL & SWIVEL MANUAL WALL MOUNT

SCREEN ANGLES

The views below show the approximate maximum swivel angles achievable for varying screen sizes.

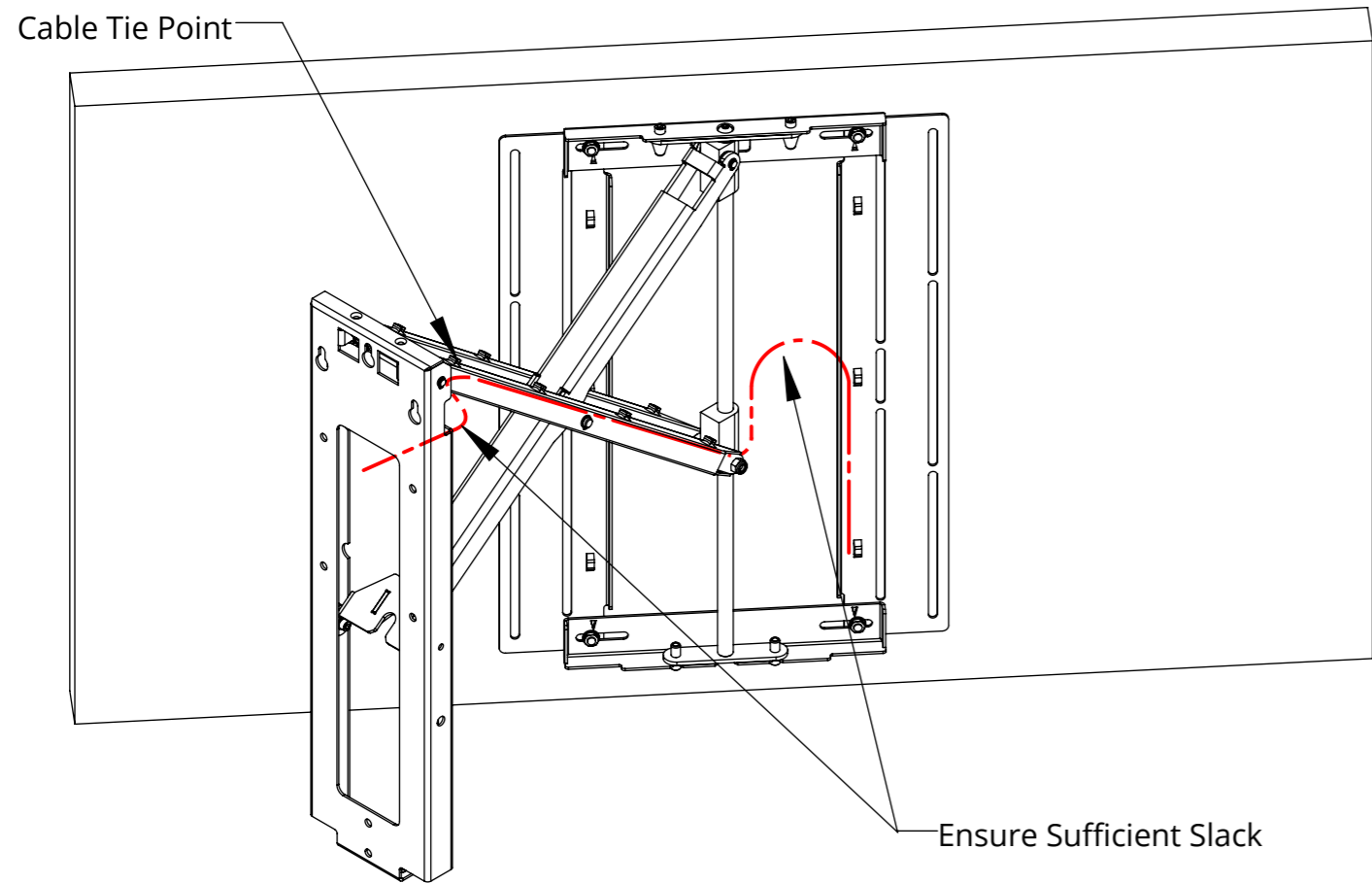
NOTE: The maximum swivel angle achievable is 50° regardless of screen size



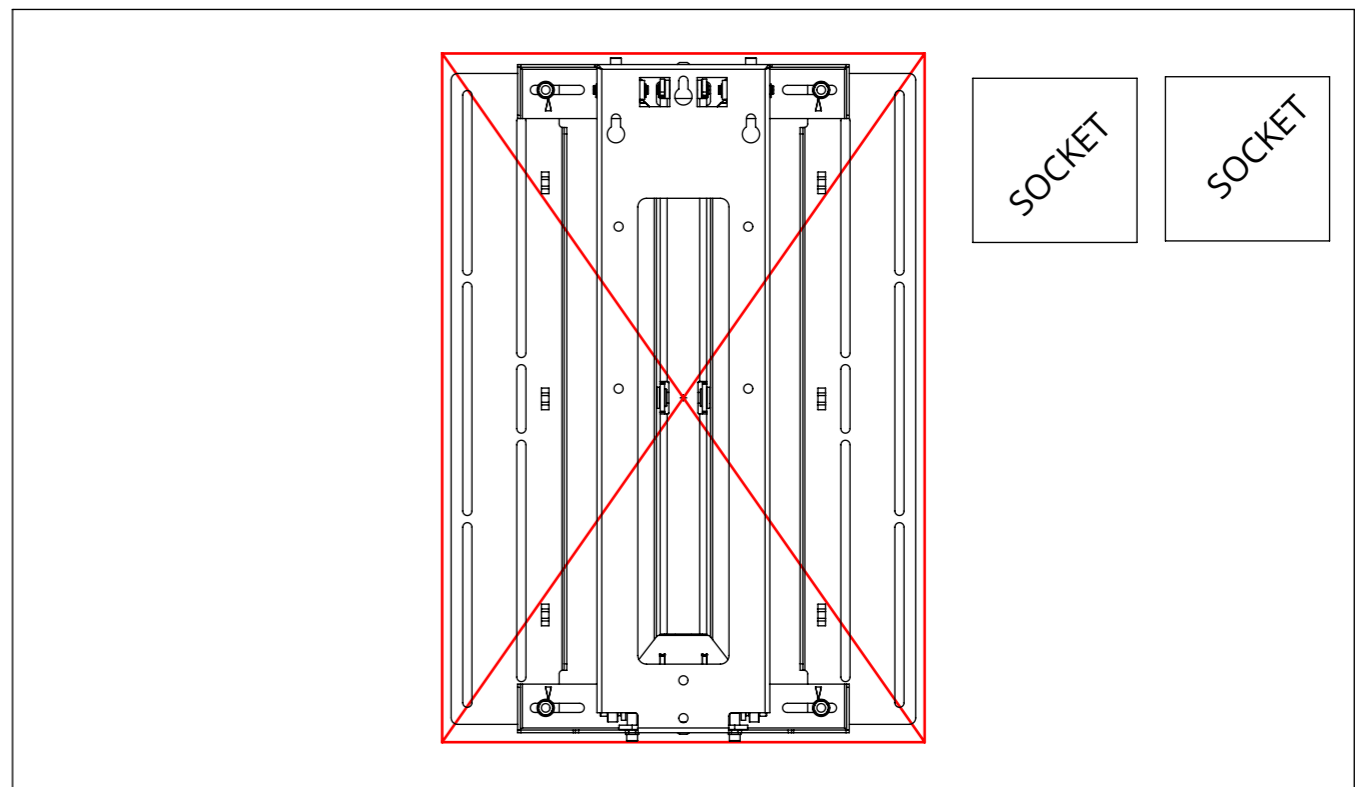
PS55 PULL & SWIVEL MANUAL WALL MOUNT

CABLE ROUTING & SOCKET PLACEMENT

Route the screen cables as shown ensuring sufficient slack at moving points and secure in place using the integrated cable tie points.

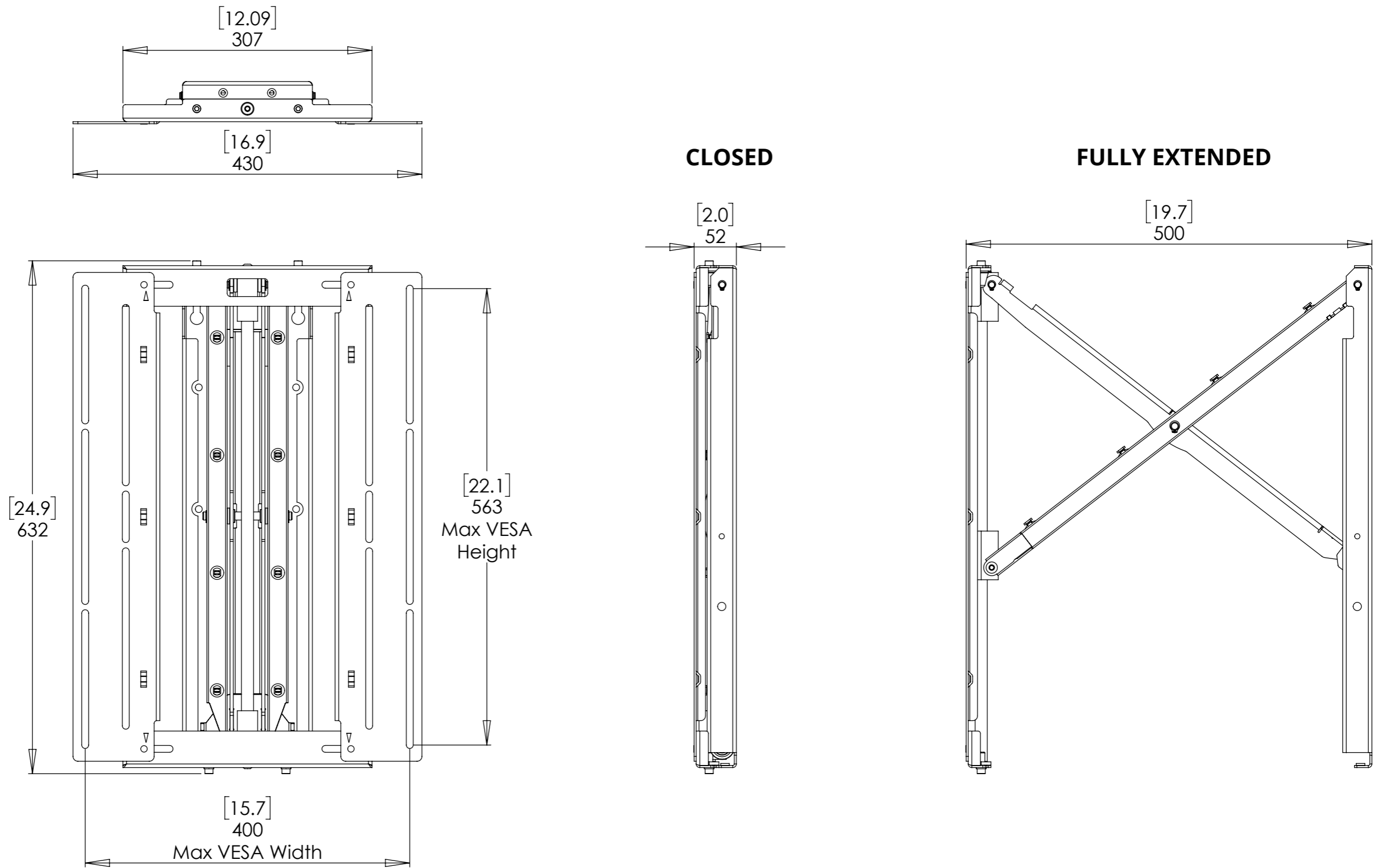


Wall sockets should be ideally placed as shown outside of the bracket footprint to maximise space for cable routing



PS55 PULL & SWIVEL MANUAL WALL MOUNT

GENERAL DIMENSIONS

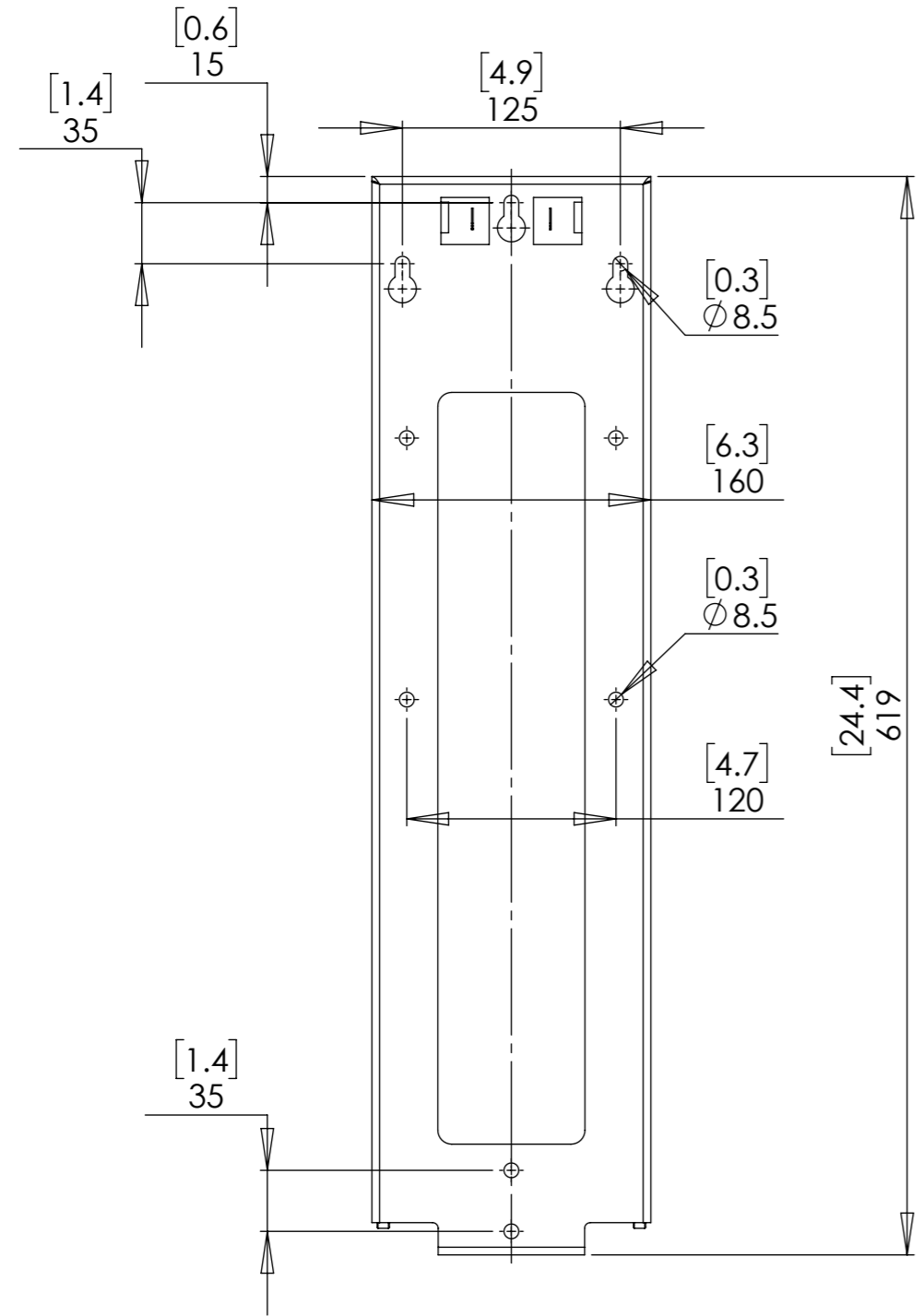


PS55 PULL & SWIVEL MANUAL WALL MOUNT

MOUNTING DIMENSIONS

Wall Plate

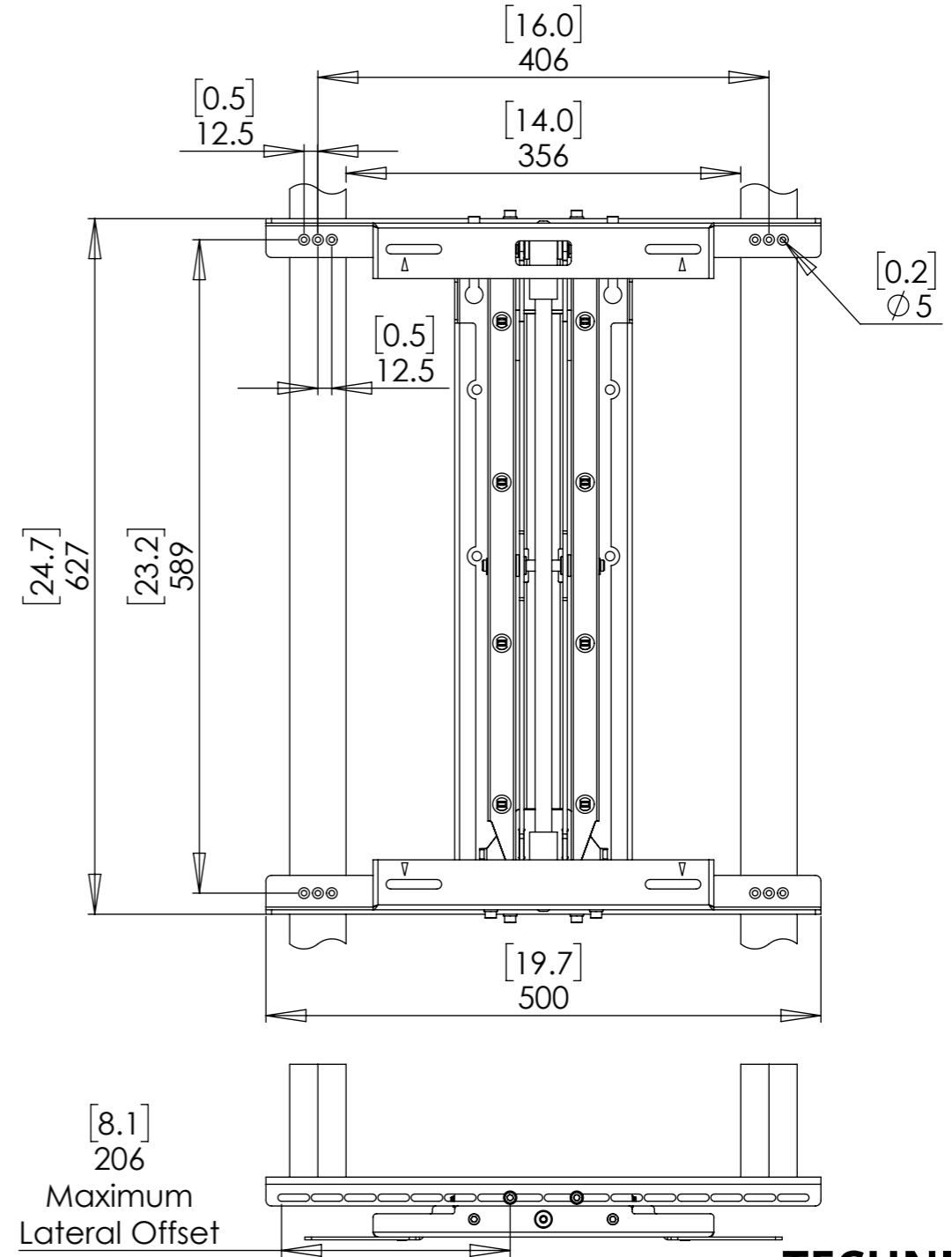
Make sure the wall that the bracket is being mounted to is secure and strong enough to support the bracket and screen.



Stud Rail Kit

The included Stud Rail Kit allows the PS55 to be easily installed on a stud wall and allows for the lateral position of the mount to be adjusted if desired.

Uprights hidden for clarity.



PS55

PULL & SWIVEL MANUAL WALL MOUNT



WALL BOX OPTIONS

The PS55 can be installed in each of the wall boxes shown below for an ultra slim installation, whilst still providing space for additional accessories such as HDMI baluns, Apple TV, Samsung One Connect etc. See corresponding technical sheet for more information.

- Each wall box comes complete with:
- PS bracket mount rails
 - Set of 3 accessory clamp brackets
 - Set of trim strips
 - WattBox mounting kit

