

The Smart Airflow Control range is designed to regulate airflow around equipment in AV racks or in confined spaces. The SAC-U1 attaches to an external section of the cabinet to aid in the natural convection inside the space. Units can be combined to create an input and output to further increase airflow.

### DESIGN HIGHLIGHTS

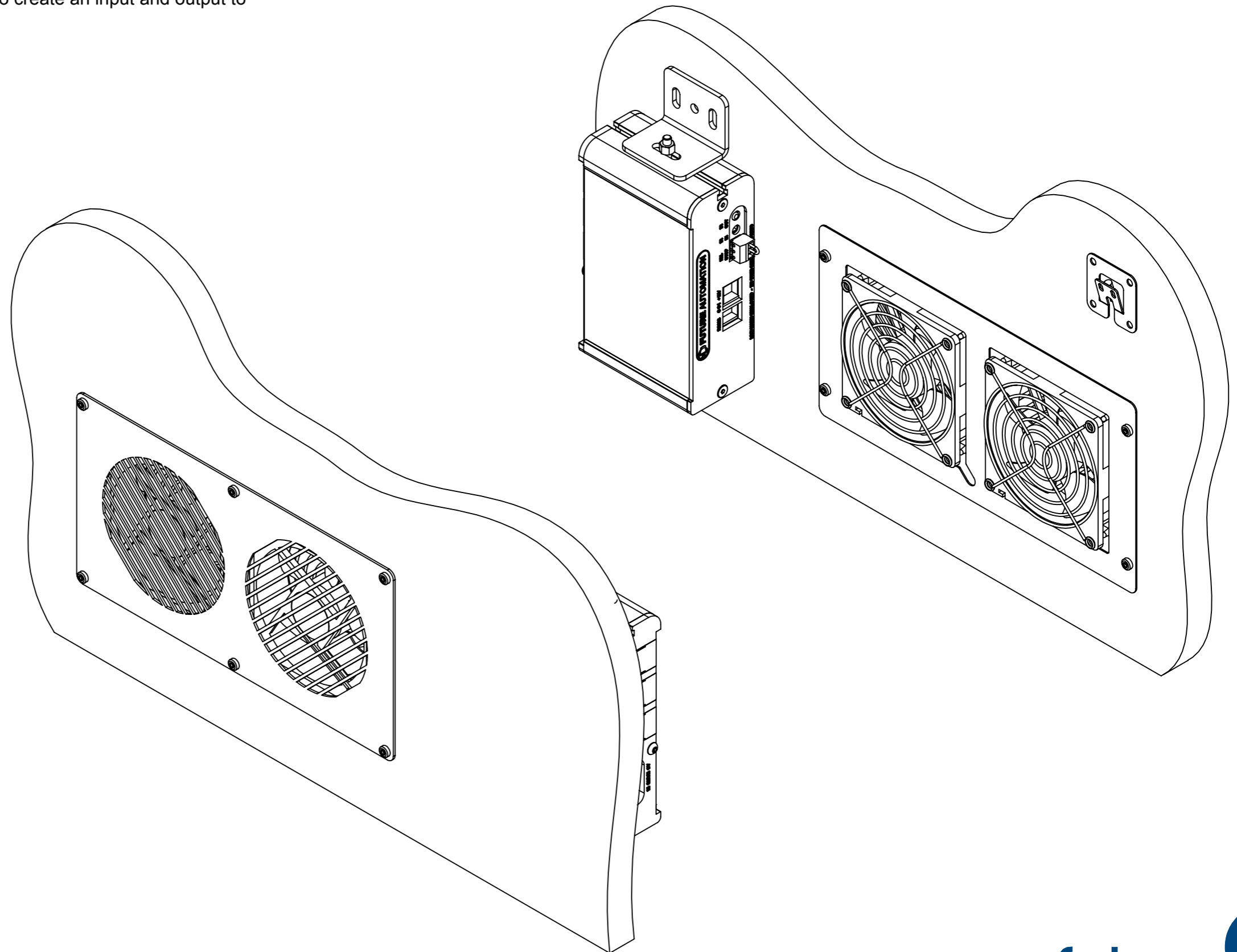
- Temperature controlled variable fan state & speed with equipment overheat alarm
- Near silent operation with vibration isolating rubber mounts
- Separate control board for flexible installation
- External trim panel to finish the exterior of the cabinet

### OPTIONS

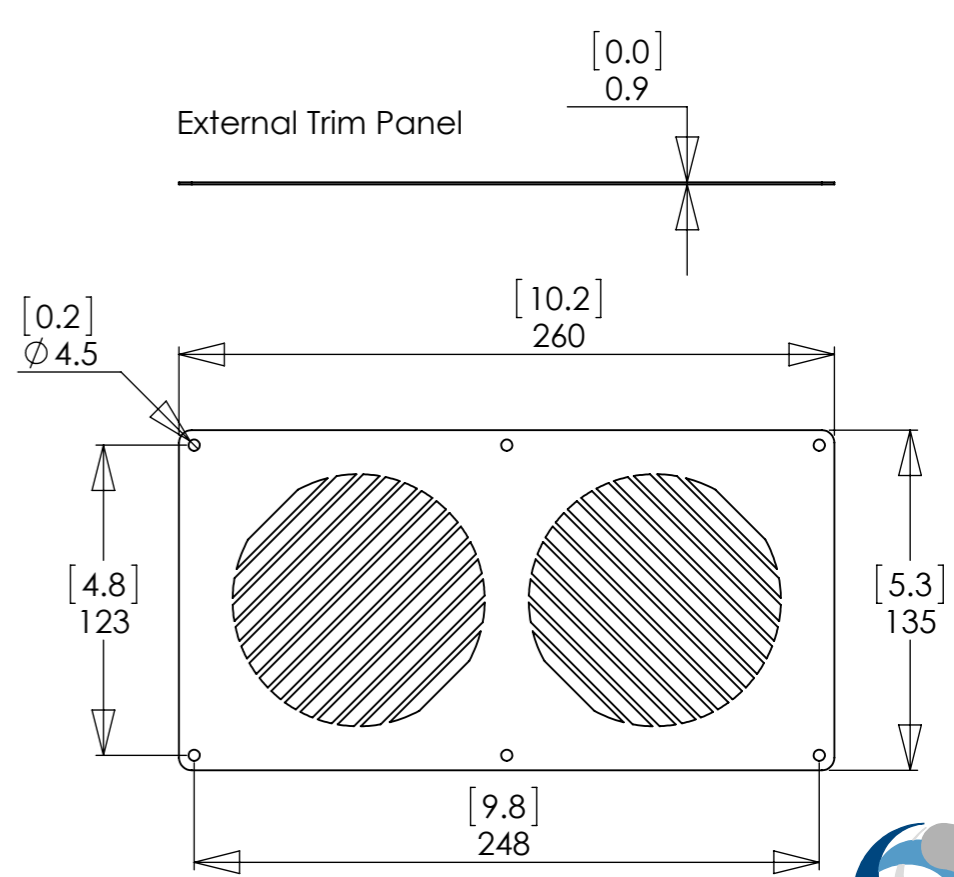
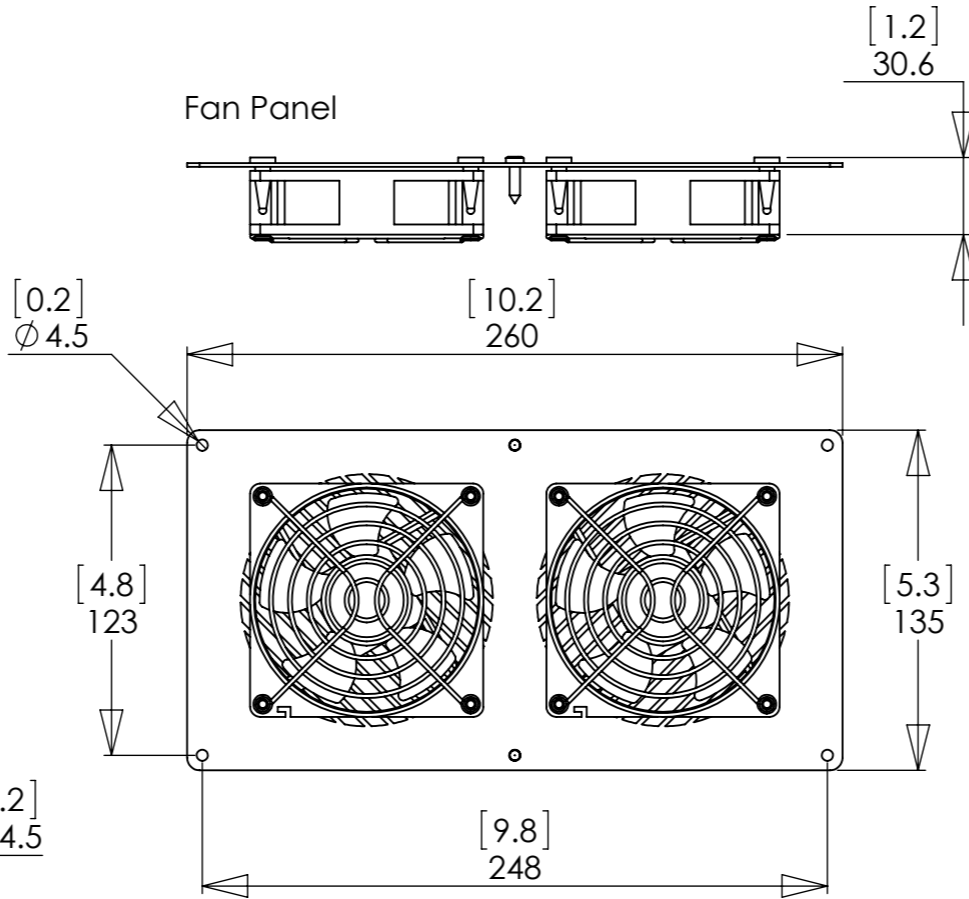
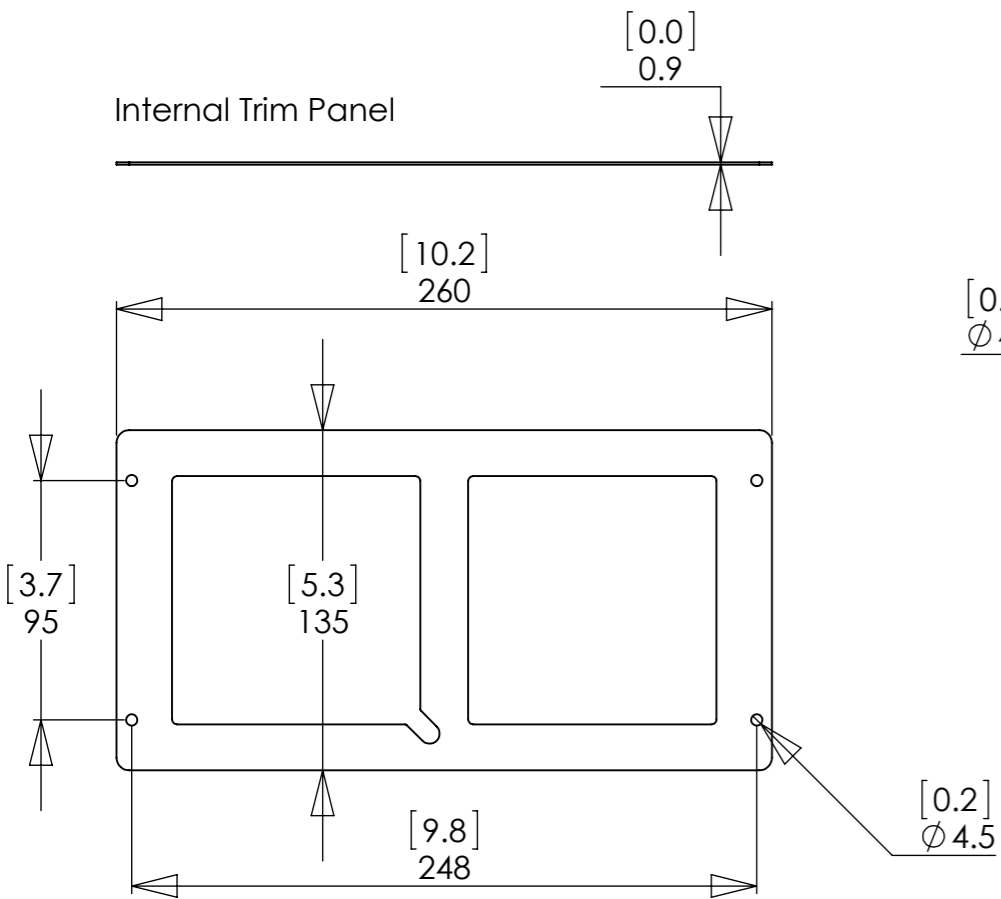
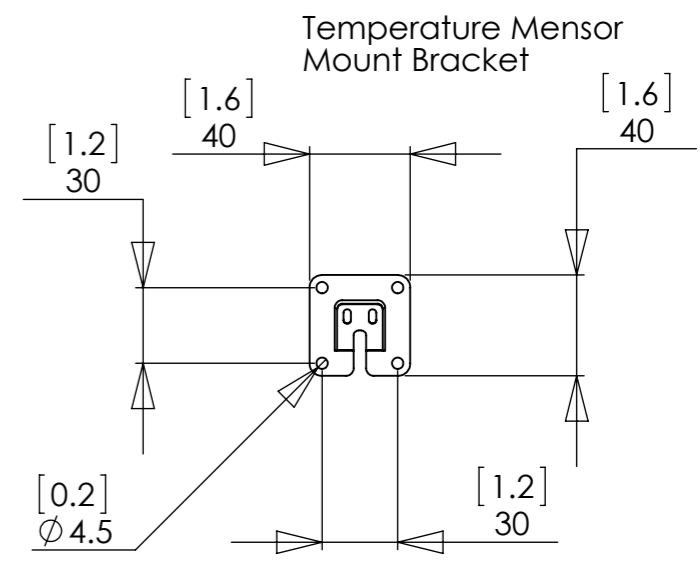
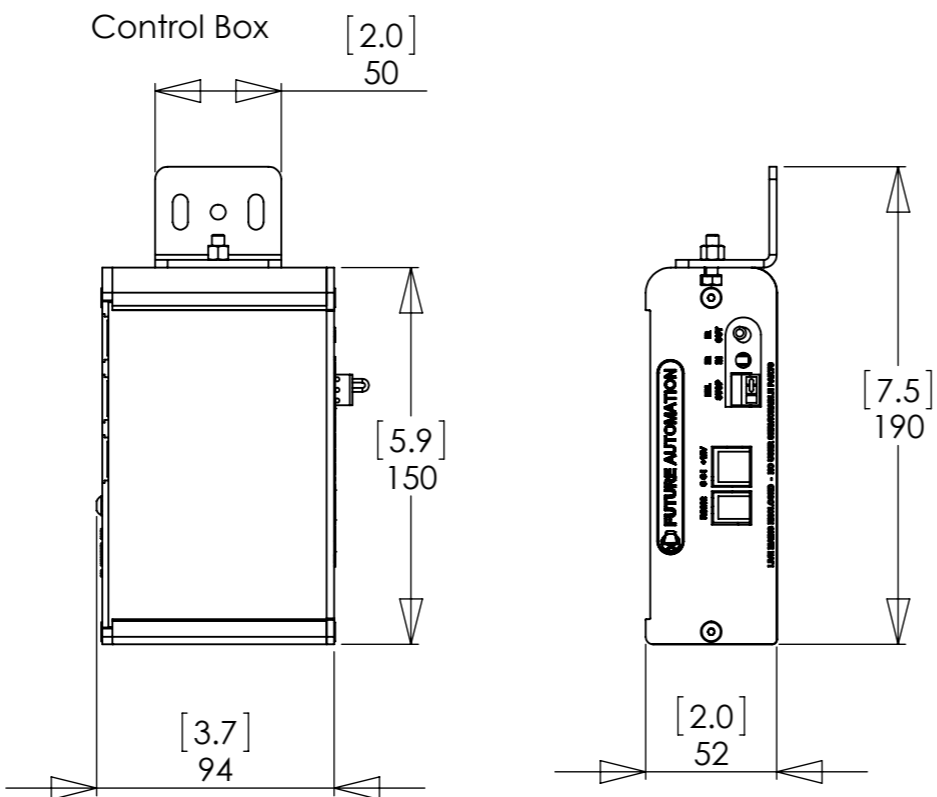
- Custom sizes available
- Any RAL colour available

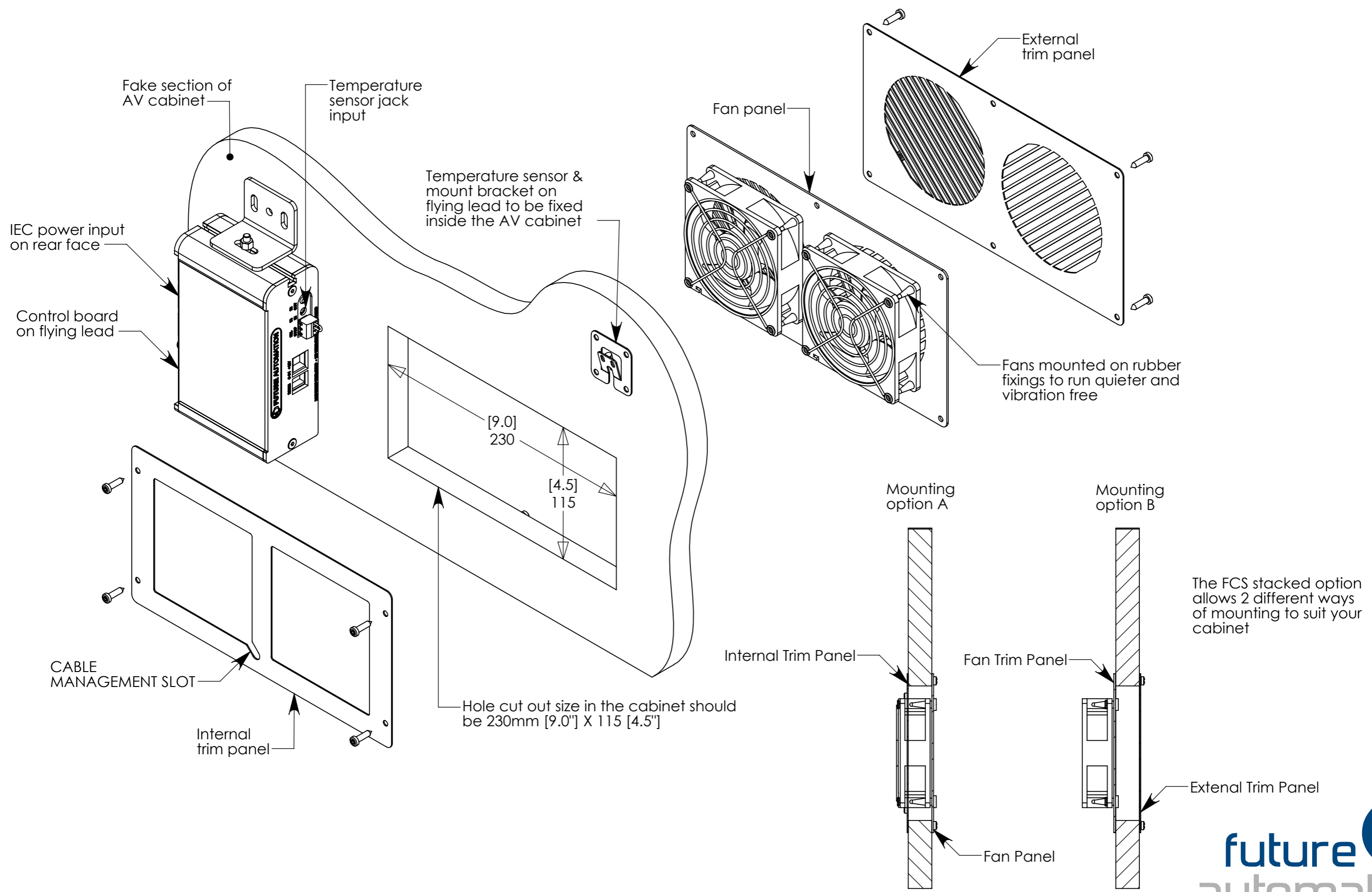
### WARNING

**It is the responsibility of the installer to warn all potential end users of the dangers of interfering with mechanisms during operation**



## General Dimensions





The FCS stacked option allows 2 different ways of mounting to suit your cabinet