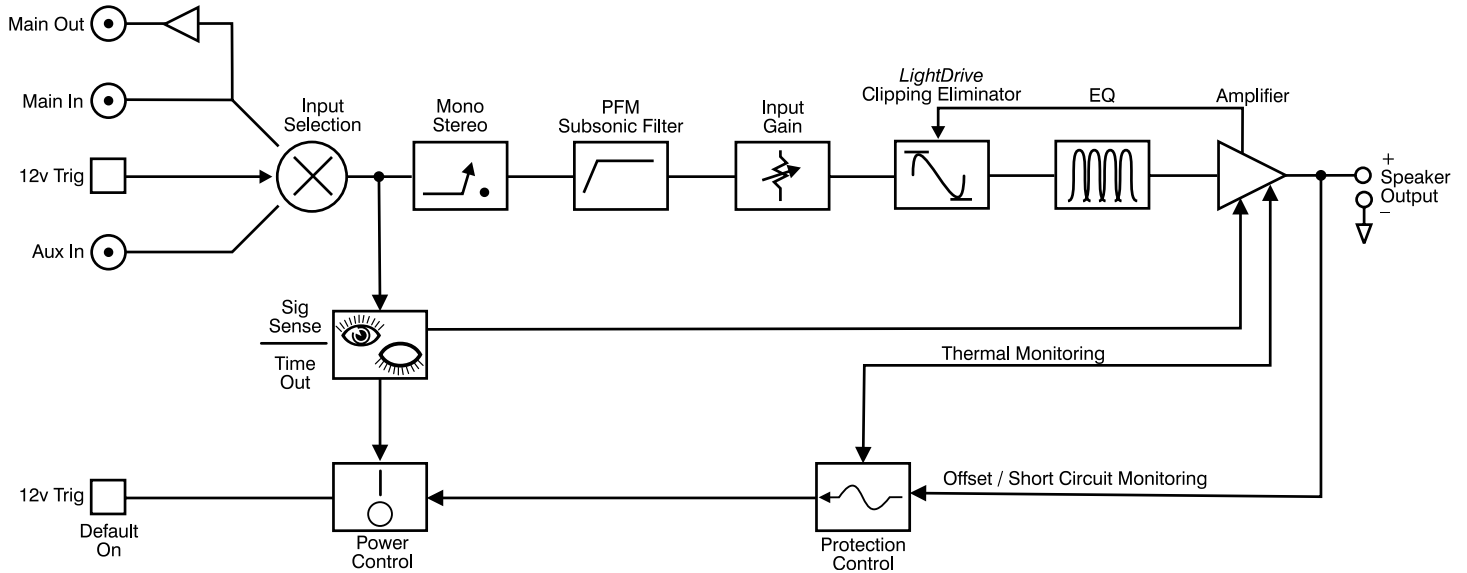


BLOCK DIAGRAM

ARCHITECT MODEL 210 BLOCK DIAGRAM



©AudioControl 2011,
All Rights Reserved.

This manual was written, de-
signed, printed, folded and stuffed
into the box in the U.S.A. Probably
on a really soggy day considering
where we live.

SPECIFICATIONS

ARCHITECT MODEL 110/210 SERIES SPECIFICATIONS

Power Output (All Channels Driven)

2 ohm (Less than .9% THD).....	240 Watts
4 ohm (Less than .9% THD).....	120 Watts
8 ohm (Less than .9% THD).....	60 Watts
8 ohm (Bridged Mono)	410 Watts
Minimum Speaker Load	2 ohms
Damping Factor	Greater than 200
Signal to Noise	>105dB, A-wtd, Ref, Full Output
Input Signal (maximum).....	8 Volts
Input Impedance	15 kilo ohms
Crosstalk	Greater than 80dB @ 1kHz
Equalizer Center Frequencies ..	45, 150, 300, 700, 2500 and 12KHz
PFM Highpass Filter (Defeatable).....	35Hz
Remote Power Trigger	+12 VDC
Options	5-way Binding Posts - Model 115 & Model 215
AC Main Fuse Rating	10 amp Slo-Blo
AC Main Operational Voltage.....	95-130v
Protection . . .clipping, short circuit, thermal, ultrasonic, DC offset	
	Stable into reactive or mismatched loads
Clipping Eliminator	Wideband, intelligent, soft response
Signal Sense Trigger.....	0.001 volt (Very Low!)
Weight	16 pounds (35 kg)
Dimensions.....	17"W x 12"D x 3.5"H
In Rush Current.....	active limited, soft start

Current Consumption (All Channels Driven)

Standby	<1 Watt
Idle.....	.8 Watts
1/8th Power (loud listening level)	30 Watts
Full Power.....	550 Watts

Heat Dissipation (All Channels Driven)

Idle.....	25 BTU/ Hour
1/8 Power (loud listening level)	20 BTU/ Hour
Full Power (worst case)	490 BTU/ Hour
Country of Origin.....	USA

ARCHITECT™

MODEL 110 - MODEL 210

Installer's Guide

AudioControl

For Those Who Consider Perfection Possible[®]

22410 70th Avenue West

Mountlake Terrace, WA 98043 USA

425-775-8461 • Fax 425-778-3166

e-mail: sound.better@audiocontrol.com

Visit us on the web at www.audiocontrol.com

P/N 913-109-0