

6.5" 2-WAY INVISIBLE IN-WALL OR IN-CEILING LOUDSPEAKER

Recommended Applications:

- Multi-Room Audio Systems
- Background Music
- Foreground Music
- Voice Paging
- Sound Masking Systems
- Home Theater / Surround Sound

Recommended Installations:

Flush mounted in walls or ceilings constructed of wood or steel framing with 1/2" (12.7 mm) or thicker gypsum wallboard. Minimum 2-3/4" (70 mm) cavity depth required.

Performance:

- 100 Watts RMS
- 45Hz to 20kHz (see Figure 1)
- 50W minimum recommended power

Protection:

Two independent self-resetting circuits (low and high-frequency).

On-Site Finish Options:

Finish options include latex paint, flat finish, orange peel texture, light plaster, light wallpaper, light fabric, wood veneer, and other selected approved finishes.



Front view



Rear view

LINEAR RESPONSE

INVISIBLE SPEAKERS

The Stealth Acoustics Model LR6G is a two-way, full-range loudspeaker system that becomes completely invisible after installation. The loudspeaker has a rigid frame that attaches directly to standard structural framing. The paintable active diaphragm face is bonded to the frame of the speaker panel, creating an active area surrounded by a stable mounting area. Installation instructions are shown on a paper overlay that is to be removed before installation. The overlay can also be used as a cutting template for retrofitting the speakers into existing wallboard.

The LR6G may be installed in either the wall or ceiling and on-site finishing options include latex paint, light wallpaper, fabrics and selected texture coats. There is no need for special vellums or other nonstandard wallboard finishing materials. Advanced finishing methods may be supported using special techniques.

The Stealth Acoustics LR6G incorporates an acoustically coupled high quality, high-power 6.5" cone woofer and a direct coupled 25 mm neo-magnet high-frequency motor. Advanced internal carbon fiber materials allow for smooth frequency extension to 20kHz. When the LR6G is installed in standard insulated 2" x 4" framing and allowed to function in a full 8 foot stud bay, frequency response below 45Hz can be achieved. The LR6G contains two independent protection circuits (high-frequency and low-frequency sections) that automatically reset upon reduction of excessive amplifier power.

For proper registration, each speaker must be installed so that the surface of the **perimeter edge is flush** with the adjoining wallboard. When correctly in place, the surface of the speaker **face panel extends above** the height of the wallboard by 1/16" (1.6 mm). This is

done to allow space for the tape and joint compound needed to blend the panel into the wall. Shims are included to allow for mounting in wallboard thicker than 1/2" (12.7 mm).

Stealth Acoustics' invisibility offers a powerful advantage over traditional loudspeakers because they can be placed wherever they sound best, free of visual concerns that may conflict with architectural features. Accompanying the full range panels, Stealth Acoustics offers the B22G and B30G – completely invisible companion subwoofers for extended low frequency response.

All Stealth Acoustic products are covered by a 5 year manufacturer's warranty as well as an optional 15 year extended warranty. The LR6G also has 100, 70 and 25 volt constant voltage transformers available as factory installed options.



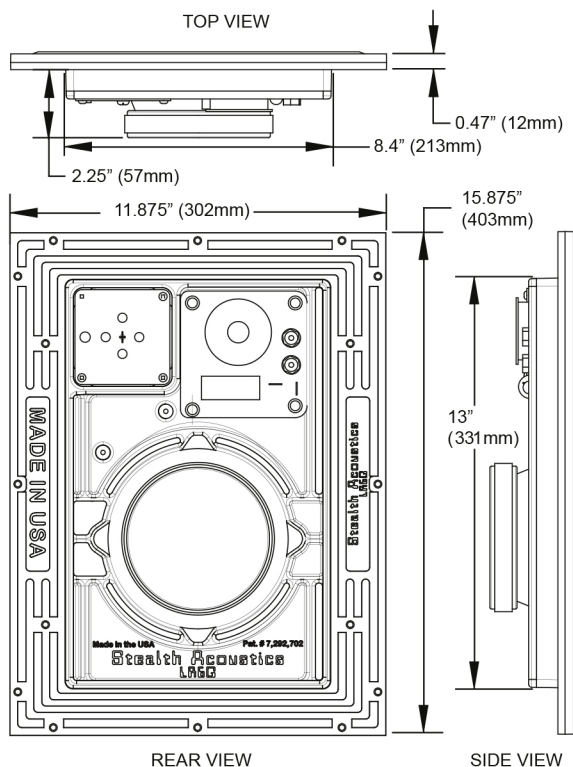
6.5" 2-WAY INVISIBLE IN-WALL OR IN-CEILING LOUDSPEAKER

Architectural & Engineering Specifications

The loudspeaker shall be a two-way, full-range device, producing frequencies from 45Hz to 20kHz. The total radiating surface shall be 117 sq. in (755 sq. cm) and high frequency dispersion shall be a nominal 170 degrees in both horizontal and vertical planes. The loudspeaker system shall have a sensitivity of 81 dB, 1 watt / 1 meter, with a capacity of 100 watts RMS according to EIA standard RS-426-A. The loudspeaker shall have two independent self-resetting protection devices, one each for the high-frequency driver and the low-frequency driver.

The loudspeaker shall fit into walls or ceilings with standard wood or steel stud construction and a minimum 2-3/4" (62 mm) depth cavity. The loudspeaker shall mount directly to the structural framing and have the capability of seamlessly adjoining 1/2" (12.7 mm) or thicker gypsum wallboard. The minimum distance between framing members shall be 8-1/2" (216 mm). Face panel finishing methods shall be consistent with normal gypsum wallboard finishing techniques and may include latex paint, light wallpaper, light fabric wood veneer and other selected approved finishes.

The loudspeaker shall be the Stealth Acoustics Model LR6G and shall carry a 5 year manufacturer's warranty.



Product Specifications

Frequency Response:

45Hz to 20kHz (see Figure 1)

Power Capacity:

100 watts RMS

50 watts minimum recommended power

Protection:

Two independent self-resetting devices (low and high frequency)

Sensitivity:

83 dB (1 watt / 1 meter)

Driver Components:

High frequency: 1" (25 mm) neodymium motor

Low-frequency: 1" (25 mm) voice coil, 6.5" (165 mm) woofer

Ceramic 20 oz. (622 gr) magnet

System Impedance:

8Ω nominal

Polar Dispersion:

170 degrees vertical and horizontal

Dimensions:

Width: 15-7/8" (403 mm)

Height: 11-7/8" (302 mm)

Mounting Depth: 2-1/4" (57 mm)

Product Weight:

8.7 lbs. (3.9 kg)

Shipping Weight:

19 lbs. (8.6 kg) per pair

12 lbs. (5.4 kg) per single

Included Accessories:

Mounting shims

Mounting screws

Terminal wrench

Optional Accessories:

PS-12

PlaceSaver™

BX-12

MDF Acoustic Back Box

MBX-12

UL Listed Metal Back Box

MBA-22

UL Listed Metal Back Box - Adjustable

MBC-12

Concrete Back Box

SK-1

Shim Kit

CVXMR

100, 75 and 25 volt Constant Voltage Xfmr

WARRANTY

Extended Warranty - 15 year

